



## If panic breaks out

Panic bolting technology ensures that people can get out of a danger zone at any time, even in a panic situation. One push on the horizontal activation element is all it takes and the door springs open – irrespective of whether it was locked or not.



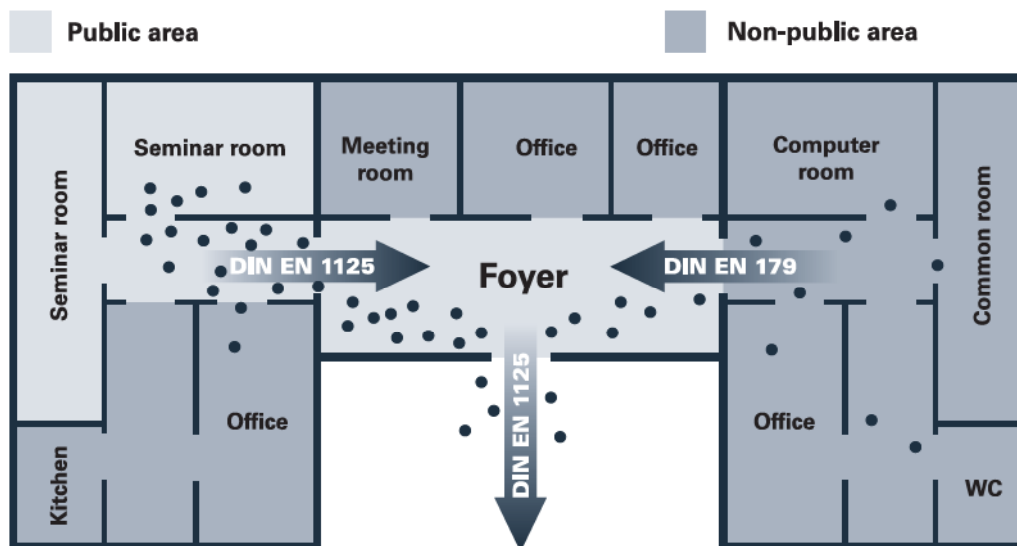
ECO unlocking solutions also open up the escape route when a crowd of people press against the door. And even the strength of a child is sufficient to open the door to escape from a fire or toxic smoke.

ECO bolting technology satisfies European standards **EN 1125** (Panic locks with horizontal activation bars) and **EN 179** (Emergency exit locks with handles or impact plates) – and demonstrates the company's expertise. The lock and release element are developed and manufactured in coordination with one another.

With panic systems in particular, it is important to perceive the door as a system, because it's not only the panic lock, door lock and fitting that have to interact perfectly so that the door can help in a life-threatening situation. The door closer and hinges have a decisive influence on the ability to satisfy the high demands set by the standard.

## Differentiation by building utilization

The type of room and utilization of the building are decisive when choosing the right panic door combination. European standards **DIN EN 1125** and **DIN EN 179** define the fittings of panic doors and emergency exits. Emergency exit locks in compliance with **DIN EN 179** are not normally subjected to use by the general public. It is assumed here that the users of the building are acquainted with the escape routes, so conventional panic lock technology with a handle or impact plate are sufficient here. Panic locks with a horizontal activation bar in accordance with **DIN EN 1125**, on the other hand, are intended for use in buildings frequented by the general public. Our panic systems in conformance with **DIN EN 1125** ensure that persons who have panicked and are not acquainted with the functions of the door can always get out of the building safely.



### Panic locks with a horizontal activation bar

**EN 1125** 

Panic locks in accordance with **DIN EN 1125** are used in public buildings in which the users are not acquainted with the functioning of the escape door but must nevertheless be able to operate them without instruction.

Panic locks activated mechanically by means of a horizontal handle or push-bar.

#### Areas of application:

- Hospitals and clinics
- Escape routes in schools and training centres
- Public administration buildings
- Stadia, arenas and events buildings
- Shopping centres

Users have **no** advance knowledge of how to open the escape door.

### Emergency exit locks with door handle

**EN 179** 

Emergency exit locks in accordance with **DIN EN 179** for buildings or building sections not open to the general public and all areas where access by the general public can be excluded. Side entrances or doors in these buildings or building sections are only used by authorized persons.

Emergency exit locks operated mechanically by means of a handle or impact plate.

#### Areas of application:

- Private residential complexes
- School classrooms
- Non-public administration buildings or industrial companies
- Non-public areas of administrative buildings
- Non-public areas of airports, banks, shopping centres

Users have advance knowledge of how to open the escape door.

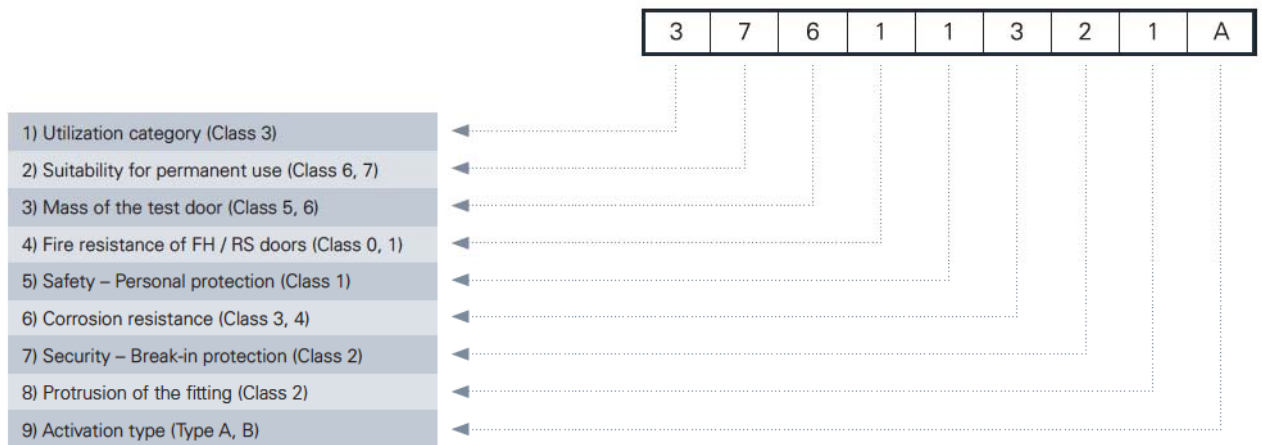
4

## Clarity through marking

Whether or not a product complies with the standard, thus acquiring approval for use in escape and rescue routes, can be seen from a classification code on the product

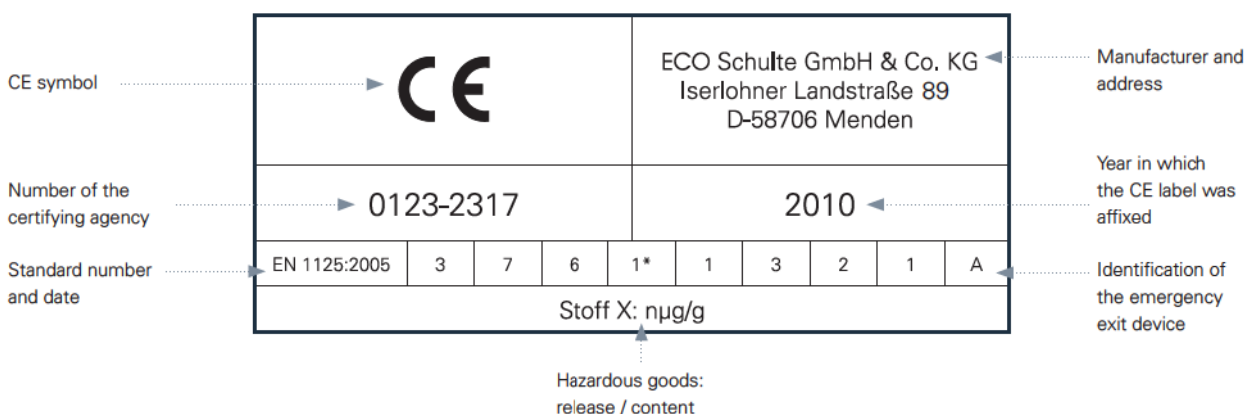
### Classification Code DIN EN 1125

The standard requires that all products tested for compliance with it be classified with a 9-digit code. Here is the classification code of the ECO EPN 900 Pushbar:



### Example of a CE marking

The CE marking documents that a product complies with standards. The example given here is for the ECO panic lock system EPN 900 tested in accordance with **DIN EN 1125**. With the CE marking, the manufacturer documents that his product complies with the applicable EU directives.





# Panic door combinations

## ECO panic door fittings: Screw-on safety and security

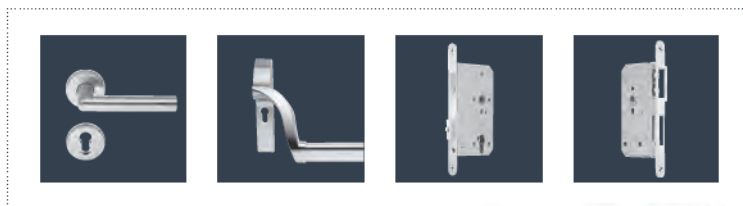
ECO Schulte fittings for escape and rescue route doors guarantee easy opening in an emergency. Even if the doors are locked shut, they can be opened without a key in accordance with standards with only one simple hand movement using a force of max. 80 N. The door fittings are designed in such a way that there is no risk of clothing getting caught in them when people flee the building. The free end of the door handle is returned in the direction of the door surface at an angle of at least 30 degrees in order to preclude the obstruction of fleeing persons and the risk of injury by the door handle.



## Panic door combinations – tested jointly

ECO Schulte considers panic door combinations to be a perfectly coordinated system. Only the perfect interplay of all components guarantees perfect conformity with the standard right down to the last detail. Although the lock, fitting and triggering mechanism are the key functions of this panic door combination, the use of a coordinated door closer and high-quality hinges is of equal importance, because these functional elements of the ECO system also make a decisive contribution towards ensuring that a door can guarantee a safe way out if panic breaks out. Because safety and security are inseparable, ECO Schulte recommends the use of a complete system from a single source.

This ECO panic door combination consists of a fitting, horizontal panic bar, panic switch lock and counterpiece.



Safety and security are inseparable: only with ECO door closers and ECO hinges is the single source panic door combination complete.



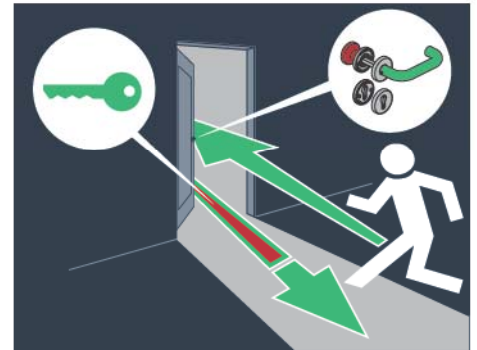
## Panic lock functions

A panic lock functions in line with a defined principle: when the handle or panic bar is activated from the inside, the lock must spring open abruptly with a defined amount of force. Not only the latch but, if needed the entire bolt is pulled back here. This basic function can be refined and varied using ECO technology:

### Panic Function E – Alternating function

Panic Function E is intended for buildings with access for a defined group of people. A blind plate or knob is mounted on the outside and the door can only be opened with a key. Conventional panic function per handle from the inside.

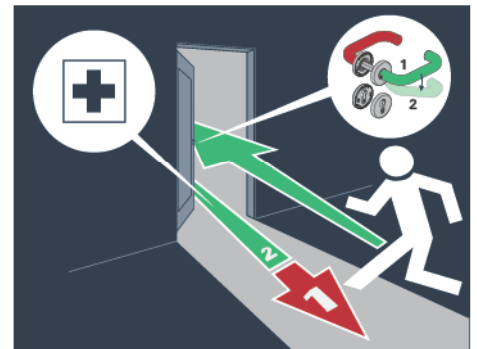
Area of application: heating room access doors, elevator systems, underground/ multi-storey car parks, storage and commercial buildings, entrance doors in rented apartment complexes and blocks of flats.



### Panic Function D – Transit function

Panic Function D is intended for doors with a pure escape function which are not used otherwise. When the conventional panic function is activated from the inside, the door is opened and the outer handle is engaged as well. In this setting, the door does not constitute an obstacle when entering the building or escaping from it. The original function can be reset with a key. The coupling is mechanical via a two-part hub.

Area of application: escape doors in administration/ office buildings, retirement homes, side entrance doors (e.g. schools and hotels).



### Panic Function B – Switchover function

Panic Function B with a handle on both sides is designed for buildings open to the general public. While the handle on the inside has a conventional panic function, the outside handle can be engaged or disengaged mechanically as required. The two handles are coupled via a two-part hub.

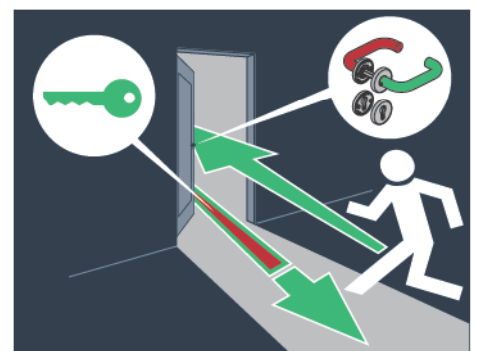
Area of application: escape doors in administration buildings, retirement homes, side entrance doors (e.g. schools and hotels).



### Panic Function C – Forced closure function

Panic Function C with a handle on both sides is designed for buildings open to the general public: While the handle on the inside has a conventional panic function, the handle on the outside is disengaged as standard (idle function) and a key position (open position) must be used to engage and disengage it (forced closure). However, the key can only be removed after the idle function has been set again.

Fields of application: doors in administration or office buildings, retirement homes, side entrance doors (schools or hotels)



## Two concepts for secure functioning

ECO Schulte offers two horizontal panic door locking systems which differ in their aesthetics and function. They are suitable for buildings in which the outbreak of panic is at least likely in the event of danger. The objective is to provide a safe escape opportunity with minimum effort and without any advance knowledge of the functioning of the escape door lock.

### Pushbar – Panic door lock with a tube

The ECO Pushbar is a Type A mechanical panic door lock in compliance with Euro standard **EN 1125**. This panic door lock unlocks reliably, even when a force is already acting on the door. Movement of the horizontally attached tube in the direction of escape in a downward arch releases the locking mechanism abruptly via a steel gear system. This function can be activated from every point along the bar. The ECO Pushbar can be bolted on or through the door and is protected against vandalism, depending on the construction and design. Available in standard or special lengths with a galvanized steel core with aluminium F1 or nylon coating or in high-grade stainless steel.

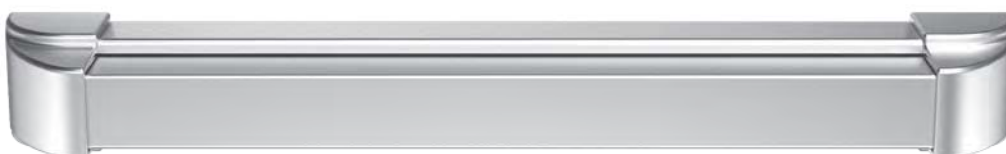
EPN 900 III ER



### Touchbar – Panic door lock with a pressure bar

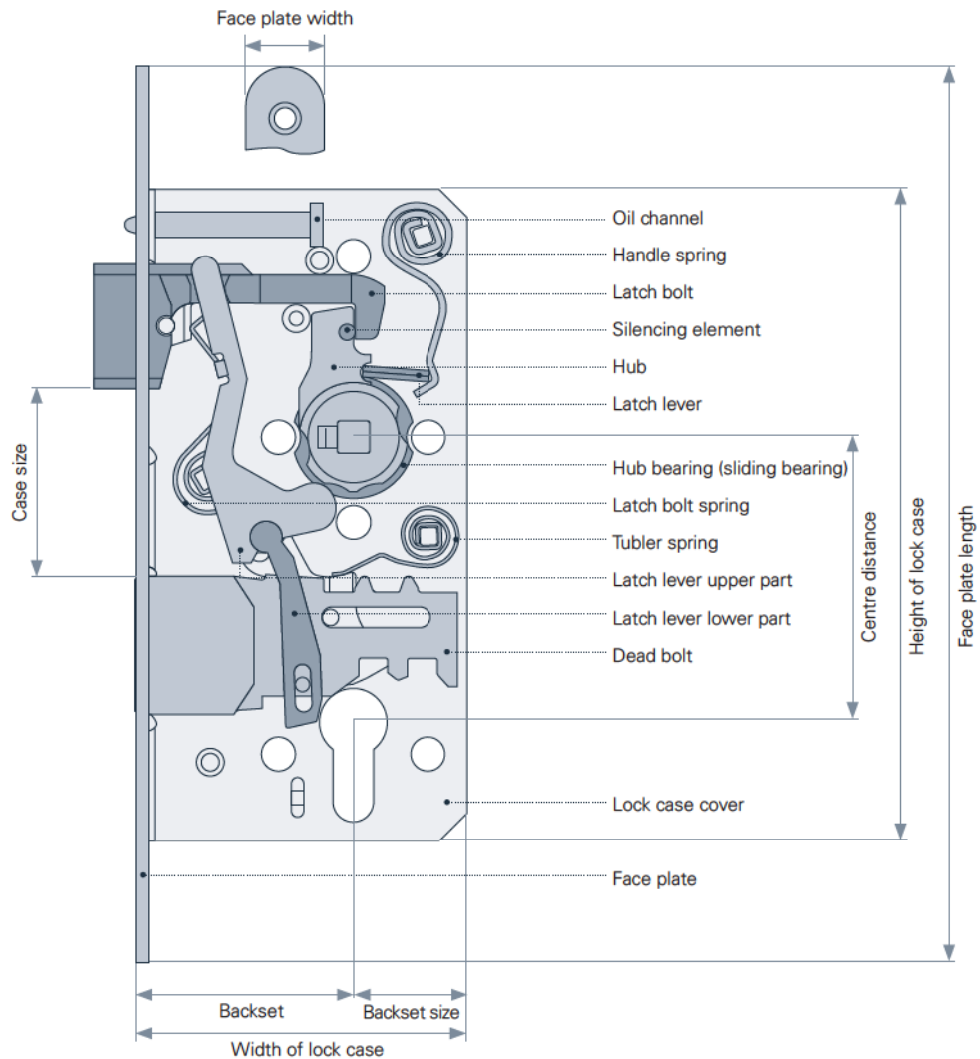
The ECO Touchbar is a Type B mechanical panic door lock in compliance with Euro standard **EN 1125**. This panic door lock unlocks reliably, even when a force is already acting on the door. Movement of the horizontally attached touch bar in the direction of escape releases the locking mechanism and lock abruptly. The release function can be activated from every point along the effective length of the touch profile. The ECO Touchbar can be bolted on or through the door and is protected against vandalism, depending on the construction and design. Available in standard or special lengths with a galvanized steel core with aluminium F1 or nylon coating or in high-grade stainless steel.

EPN 2000 II ER



## Reliable and precise as clockwork

ECO Schulte can look back on many years of experience in the development and manufacture of locks. ECO Schulte locks provide the highest possible level of security and reliability in all areas and function as precisely as clockwork. Long-lasting functionality and a long service life are guaranteed by state-of-the-art manufacture using high-quality materials and construction measures. As panic locks, ECO locks correspond with horizontal panic triggering elements and conventional ECO fittings in the ideal manner. A defined trigger impulse ensures that the door springs open abruptly.

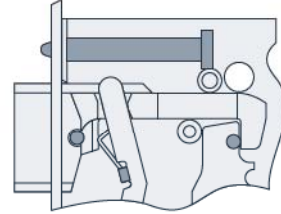




## Locks of the very best

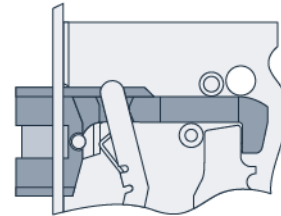
### Optional silencing

ECO locks have the option of silencing by means of a sound insulating rubber element on the latch bolt. Another ECO speciality is an integrated oil channel that lubricates all of the moving parts of the lock. No additional recesses in the lock pocket are required because all DIN dimensions are complied with.



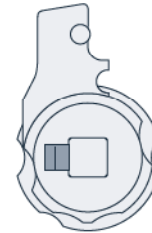
### Triple latch bolt

Instead of hitting the strike plate, the ECO triple latch bolt is pressed back into the lock by a lever mechanism. An additional milling groove should be cut in the lock pocket to install the crank latch.



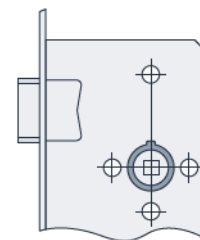
### Spring hub

A spring in the handle hub jams the pinion of the handle. This results in the precise guiding of the split spindle and thereby the door handle. Tolerances are compensated. The hub is smoothly mounted in a wear-resistant plastic bearing. ECO mortise locks with sliding bearings provide the best possible ease of operation, even when used intensively.



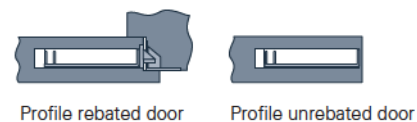
### Protection bushings

ECO offers locks with protection bushings fitted in the standard lock attachment drill holes to prevent wood or metal drill shavings from falling into the locking mechanism during assembly and impairing its functionality.



### Locks and strike plates for all notch types

Mortise locks with a face plate mounted on one side and angular striking plates are required for rebated doors. A mortise lock with a centred face plate and flat striking plate is required for flush edge doors.

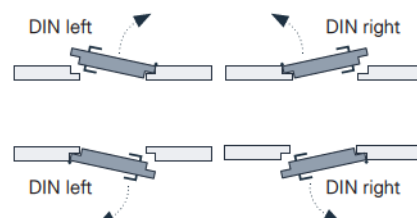


Profile rebated door

Profile unrebrated door

### Mortise locks left/right

Mortise locks are designated in accordance with **DIN 107** from the side of the door where the hinges are visible. Hinges visible on the left side = DIN left, hinges visible on the right side = DIN right.



Panic bar systems ■ Touchbar



EPN 2000 II  
Stainless steel



EPN 2000 II  
Aluminium



Panic bar systems ■ Pushbar



EPN 900 III  
Stainless steel



EPN 900 III  
Aluminium F1 coated



EPN 900 III  
Black / red coated



EPN 900 IV  
Stainless steel



EPN 900 IV  
Aluminium F1 coated



EPN 900 IV  
Black / red coated



EPN 950  
Stainless steel



EPN 950  
Aluminium F1 coated

Panic-lock systems ■ Counter-handle sets

**NEW!**

EPN 2000 II handle set ■ Round rose	Page 440
EPN 2000 II handle set ■ Oval rose	Page 442
EPN 2000 II handle set ■ Short plate	Page 444
EPN 2000 II handle set ■ Security short plate	Page 446
EPN 2000 II handle set ■ Security long plate	Page 448
EPN 2000 II handle set ■ Security profile frame	Page 450

**NEW!**

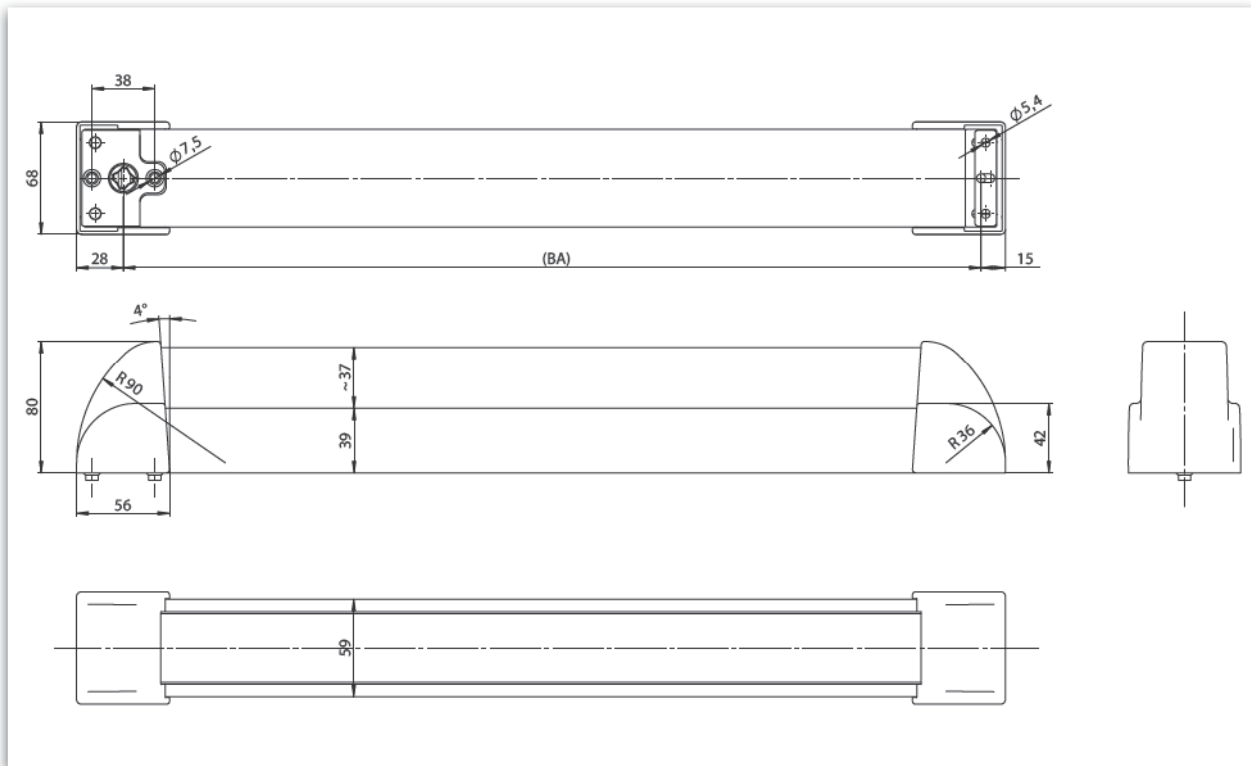
EPN 900 III handle set ■ Oval rose	Page 454
EPN 900 III handle set ■ Short plate	Page 456
EPN 900 III handle set ■ Security short plate	Page 458
EPN 900 III handle set ■ Security long plate	Page 460
EPN 900 III handle set ■ Security profile frame	Page 462

# ECO EPN 2000 II



Product characteristics		
Mode of operation	Touchbar Pushbar	■ -
Finishes	Stainless steel	■
	Aluminium F1 coated	■
	Nylon coated	□
Fixing axis	1.000 mm*	■
	1.250 mm*	■
DIN left / DIN right useable		■
For fire- and smoke control doors	<b>F</b>	■
Tested acc. EN / DIN	<b>EN 1125</b>	■

■ Yes      - No      □ Further colors on request



EPN 2000 II

Dimensioning: A: Screw-on version / B: Screw-through version

### Description

- Tested according to **EN 1125, EN 1634**
- Can be used according to **EN 1125** only with tested and approved lock
- Suitable for the use on fire- and smoke control doors according testing
- Screw-on version
- DIN left / DIN right useable
- Finishes:  
Stainless steel  
Aluminium F1 coated

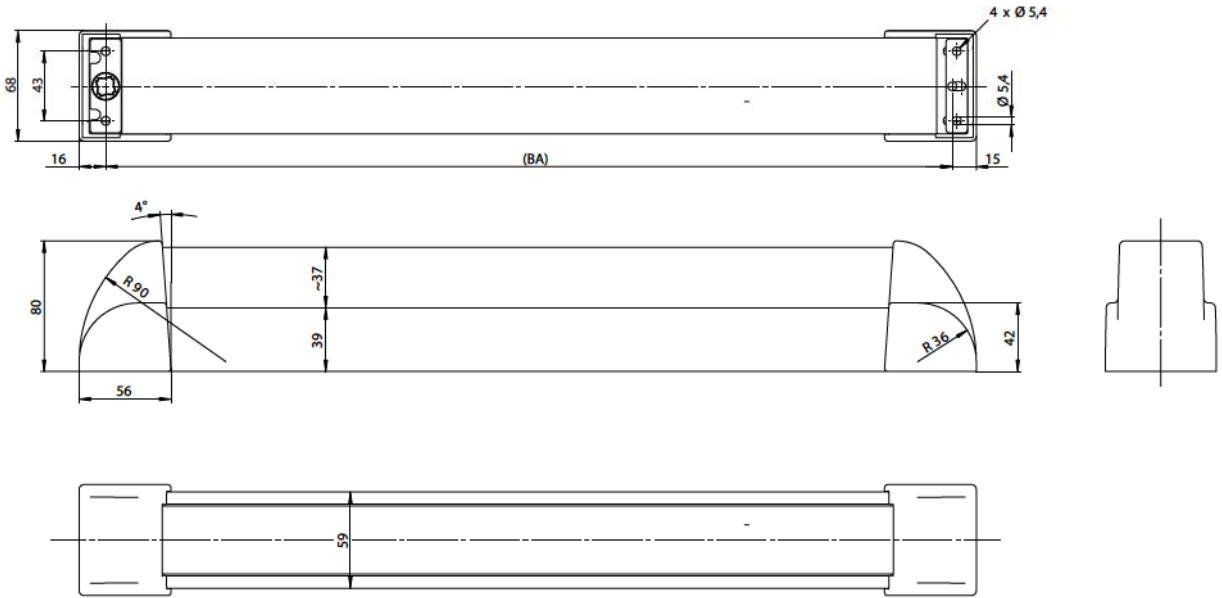
\*Manufacturing of special lengths on request and against surcharge possible.



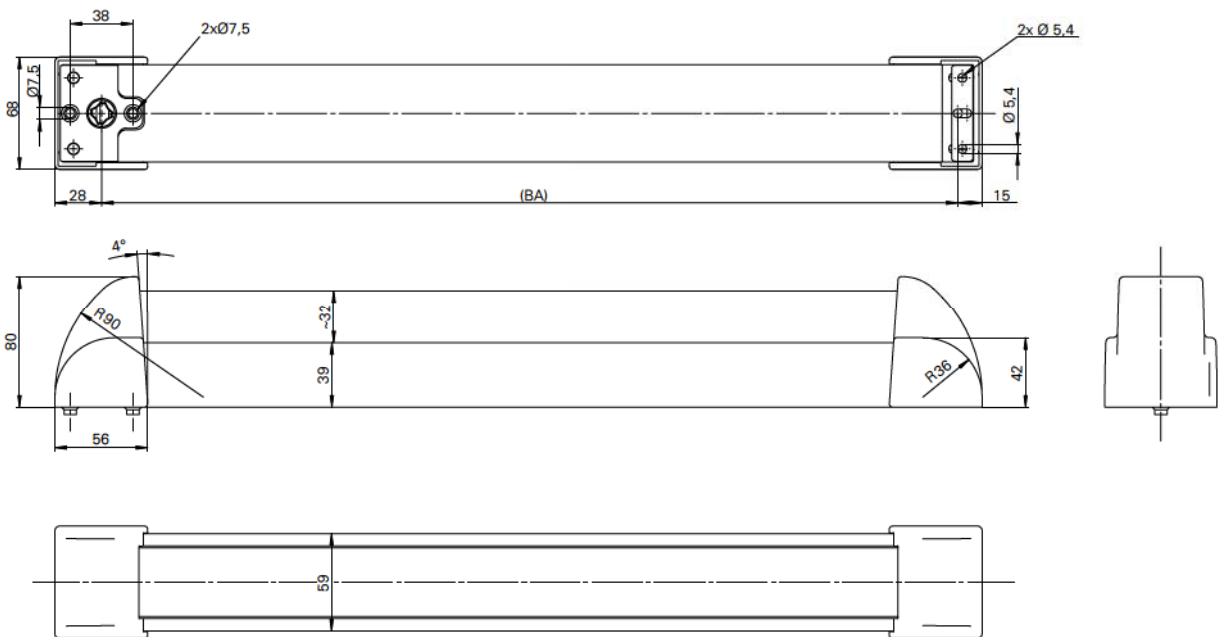
# Installation situation

EPN 2000 II

EPN 2000 II for profile frame doors / Screw-on version for active and passive leaf



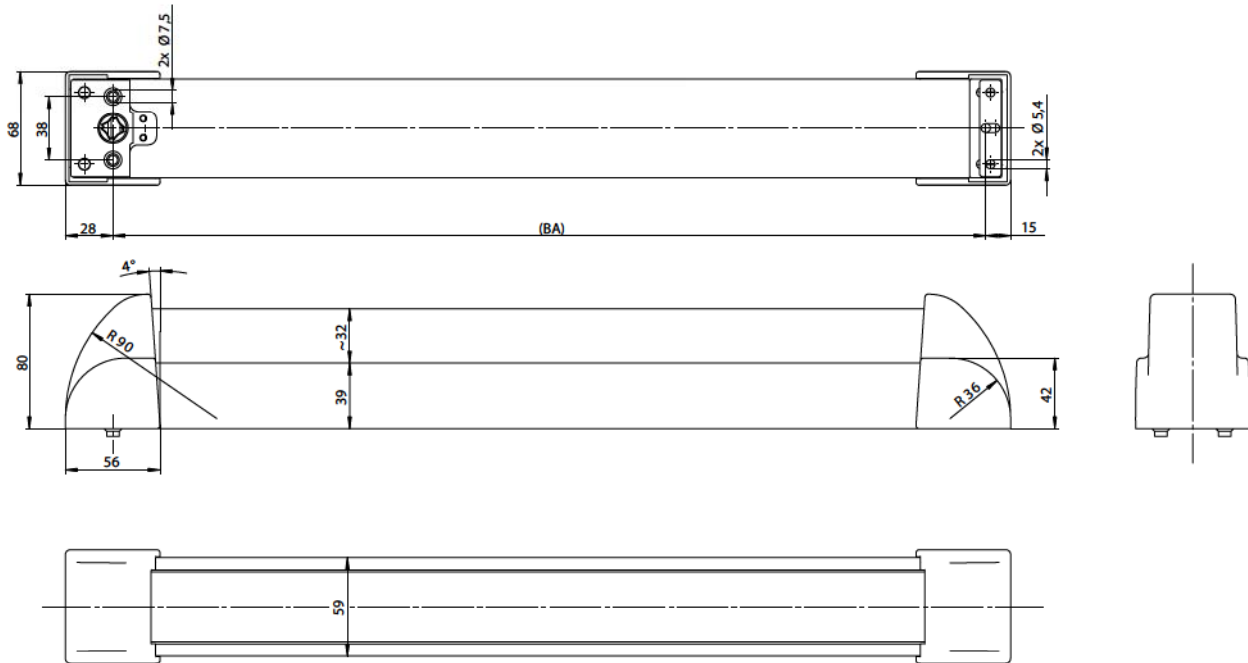
EPN 2000 II for wooden and steel doors / Screw-through version for active leaf



# Installation situation

EPN 2000 II

EPN 2000 for wooden and steel doors / screw-through version for passive leaf





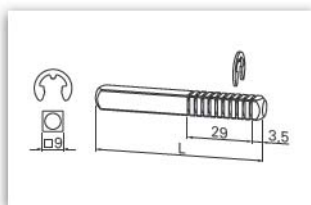
reddot design award  
winner 2010

EPN 2000 II Stainless steel	Fixing axis (BA)	Article number
Screw-on version	1.000 mm	106706024600080
	1.250 mm	106706044600080

EPN 2000 II Stainless steel	Fixing axis (BA)	Leaf	Article number
Screw-through version	1.000 mm	Active leaf	106706024600090
		Passive leaf	106707024600090
	1.250 mm	Active leaf	106706044600090
		Passive leaf	106707044600090



EPN 2000 II  
Stainless steel



	Length	Article number
Spindle for passive leaf Illustration see page 556	55 mm	119007944300030
	75 mm	119007954300030
	95 mm	119007964300030

\*Manufacturing of special  
lengths on request and against  
surcharge possible.

EPN 2000 II - Touchbar



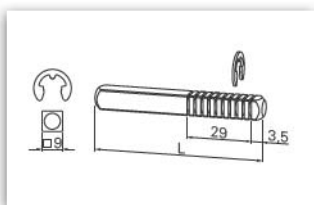
reddot design award  
winner 2010

EPN 2000 II Aluminium F1 coated	Fixing axis (BA)	Article number
Screw-on version	1.000 mm	106706044000080
	1.250 mm	106706043000080

EPN 2000 II Aluminium F1 coated	Fixing axis (BA)	Leaf	Article number
Screw-through version	1.000 mm	Active leaf	106706023000090
		Passive leaf	106707023000090
	1.250 mm	Active leaf	106706043000090
		Passive leaf	106707024000090



EPN 2000 II  
Aluminium F1 coated



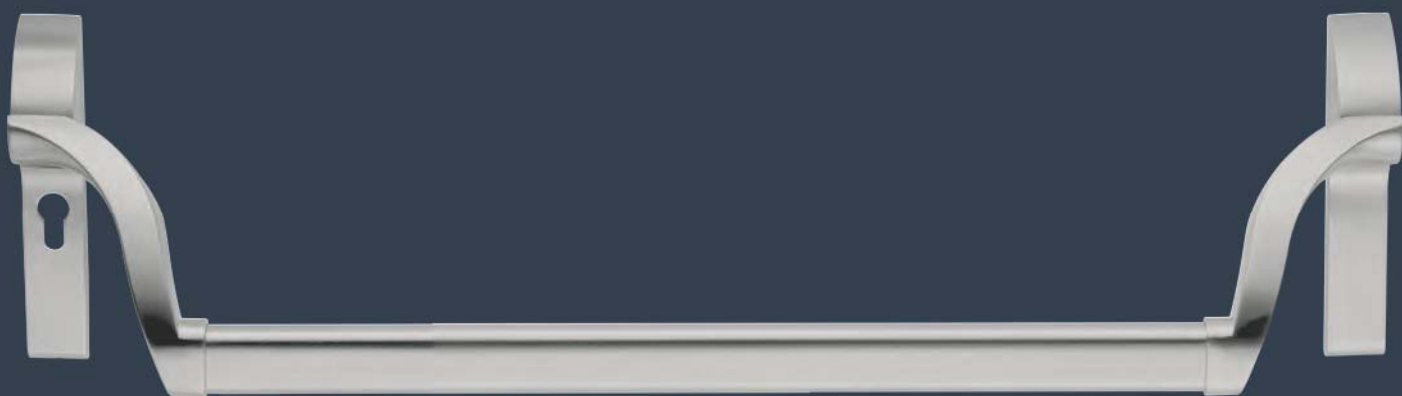
	Length	Article number
Spindle for passive leaf Illustration see page 556	55 mm	119007944300030
	75 mm	119007954300030
	95 mm	119007964300030





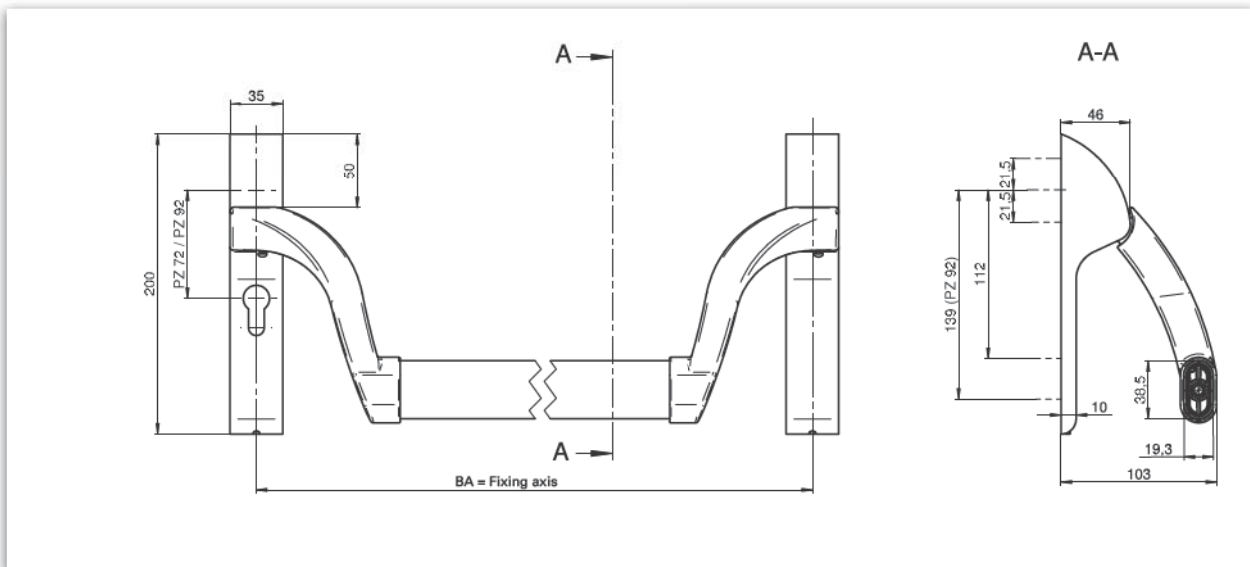
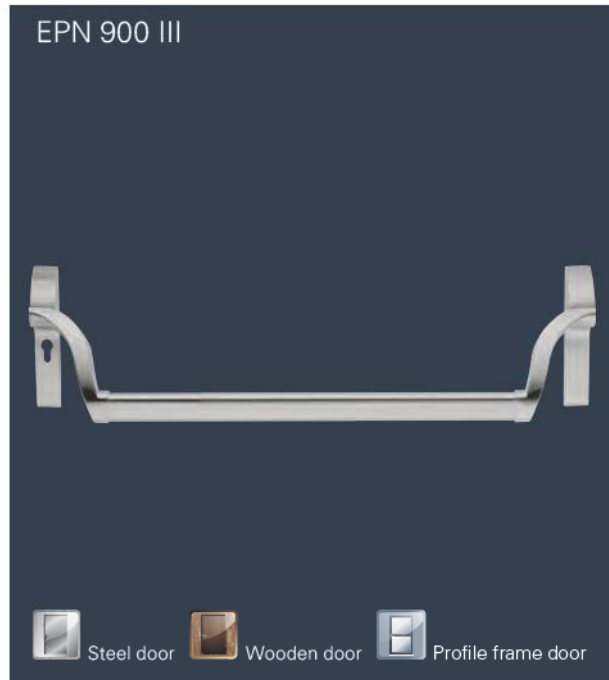


# ECO EPN 900 III



Product characteristics		
Mode of operation	Touchbar Pushbar	- ■
Finishes	Stainless steel	■
	Aluminium F1 coated	■
	Coloured coated	■
Tube	900*	■
	1.150*	■
	1.500*	□
Lock type	PZ-72	■
	PZ-92	■
	RZ-74	■
	RZ-94	■
	UG	■
DIN left / DIN right useable		■
Suitable for the use on fire- and smoke control doors	<b>F</b>	■
Tested according to DIN / EN	<b>EN 1125</b>	■

■ Yes    - No    □ Option



Dimensioning: EPN 900 III

**Description**

**EPN 900 III / Pushbar**

The arms are highly cranked and enable the use of electronic key cylinders.

- Tested according to **EN 1125, EN 1634, EN 1191**
- Can be used according to **EN 1125** only with tested and approved lock
- Suitable for the use on fire- and smoke control doors according testing
- DIN left / DIN right useable
- Arms highly cranked, suitable in particular for electronic key cylinders and short PZ distances.
- Huge, stable tube (vandalism)
- High-strength screwing of arm and tube

- Finishes:
  - Satin Stainless steel
  - Silber (F1) coated (on basis EPN 900 III Stainless steel)
  - Black / red coated (on basis EPN 900 III Stainless steel)
- Gear unit: steel zinc-plated

**\*Tube has to be ordered separately**

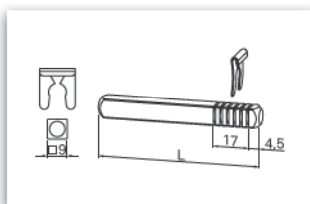



**EN 1125**

EPN 900 III Stainless steel *	Turning angle	Article number
PZ-72	30°	106961304600080
	40°	106961404600080
	45°	106961454600080
PZ-92	30°	106962304600080
	40°	106962404600080
	45°	106962454600080
RZ-74	30°	106965304600080
	40°	106965404600080
	45°	106965454600080
RZ-94	30°	106966304600080
	40°	106966404600080
	45°	106966454600080
UG	30°	106964304600080
	40°	106964404600080
	45°	106964454600080

Tube: Stainless steel	Fixing axis (BA) max.	Article number
900 mm	1.067 mm	109506604600070
1.150 mm	1.317 mm	109506614600070
1.500 mm	1.667 mm	109506644600070

EPN 900 III  
Stainless steel



	Length	Article number
Spindle for passive leaf Illustration see page 556	55 mm	119007914300030
	75 mm	119007924300030
	95 mm	119007934300030

\* Tube has to be  
ordered separately



EPN 900 III - Pushbar



EPN 900 III Aluminium F1 coated *	Turning angle	Article number
PZ-72	30°	106961303000080
	40°	106961403000080
	45°	106961453000080
PZ-92	30°	106962303000080
	40°	106962403000080
	45°	106962453000080
RZ-74	30°	106965303000080
	40°	106965403000080
	45°	106965453000080
RZ-94	30°	106966303000080
	40°	106966403000080
	45°	106966453000080
UG	30°	106964303000080
	40°	106964403000080
	45°	106964453000080

EPN 900 III * coul.	Turning angle	Article number
PZ-72	30°	106961300200080
	40°	106961400200080
	45°	106961450200080
PZ-92	30°	106962300200080
	40°	106962400200080
	45°	106962450200080
RZ-74	30°	106965300200080
	40°	106965400200080
	45°	106965450200080
RZ-94	30°	106966300200080
	40°	106966400200080
	45°	106966450200080
UG	30°	106964300200080
	40°	106964400200080
	45°	106964450200080

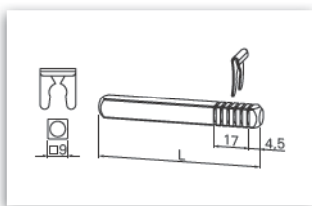
Tube: Aluminium F1 coated	Fixing axis (BA) max.	Article number
900 mm	1.067 mm	109506603000070
1.150 mm	1.317 mm	109506613000070
1.500 mm	1.667 mm	109506643000070

Tube: Ku red coated	Fixing axis (BA) max.	Article number
900 mm	1.067 mm	109506600100070
1.150 mm	1.317 mm	109506610100070
1.500 mm	1.667 mm	On request


EPN 900 III  
Aluminium F1 coated



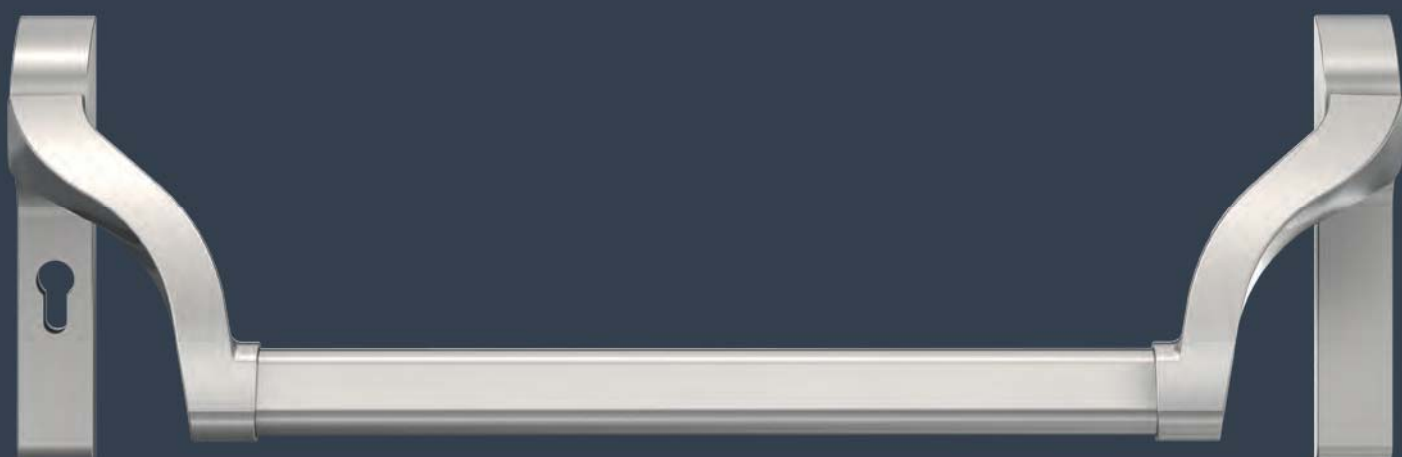
EPN 900 III  
Black / red coated



	Length	Article number
Spindle for passive leaf Illustration see page 556	55 mm	119007914300030
	75 mm	119007924300030
	95 mm	119007934300030

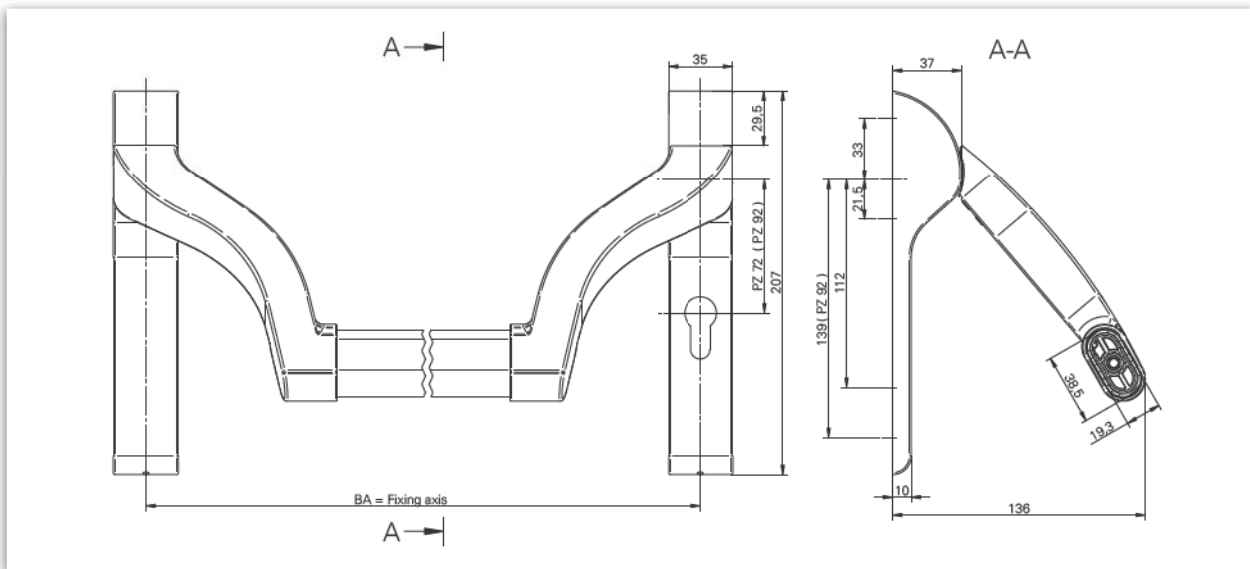
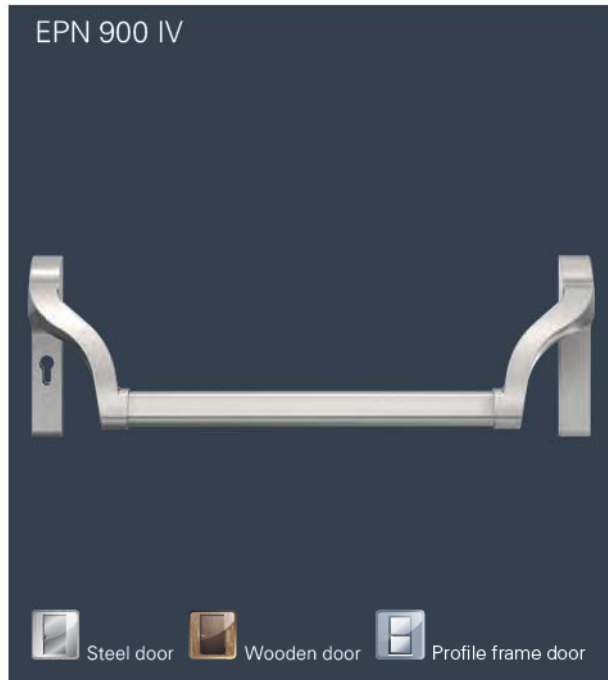
 \*Tube has to be ordered separately

# ECO EPN 900 IV



Product characteristics		
Mode of operation	Touchbar Pushbar	- ■
Finishes	Stainless steel	■
	Aluminium F1 coated	■
	Coloured coated	■
Tube	900*	■
	1.150*	■
	1.500*	□
Lock type	PZ-72	■
	PZ-92	■
	RZ-74	■
	RZ-94	■
	UG	■
DIN left / DIN right useable		■
Suitable for the use on fire- and smoke control doors	<b>F</b>	■
Tested according to DIN / EN	<b>EN 1125</b>	■

■ Yes    - No    □ Option



Dimensioning: EPN 900 IV (Subject to change)


**Description**

**EPN 900 IV / Pushbar**

The arms are highly cranked and enable the use of electronic key cylinders.

- Tested according to **EN 1125, EN 1634, EN 1191**
- Can be used according to **EN 1125** only with tested and approved lock
- Suitable for the use on fire- and smoke control doors according testing
- DIN left / DIN right useable
- Arms highly cranked, suitable in particular for electronic key cylinders and short PZ distances.
- Huge, stable tube (vandalism)
- High-strength screwing of arm and tube

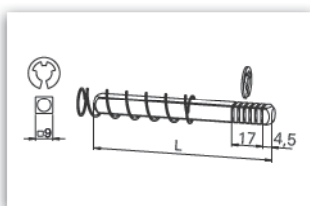
- Finishes:
  - Satin Stainless steel
  - Silber Aluminium F1 coated\*\*
  - Black / red coated\*\* (on basis EPN 900 IV Alu)
- Gear unit: steel zinc-plated

 \*Tube has to be ordered separately  
\*\* Please see our details on page 673


**EN 1125**

EPN 900 IV Stainless steel *	Turning angle	Article number
PZ-72	30°	106971304600080
	40°	106971404600080
	45°	106971454600080
PZ-92	30°	106972304600080
	40°	106972404600080
	45°	106972454600080
RZ-74	30°	106975304600080
	40°	106975404600080
	45°	106975454600080
RZ-94	30°	106976304600080
	40°	106976404600080
	45°	106976454600080
Blind UG	30°	106974304600080
	40°	106974404600080
	45°	106974454600080

Tube: Stainless steel	Fixing axis (BA) max.	Article number
900 mm	1.067 mm	109506604600070
1.150 mm	1.317 mm	109506614600070
1.500 mm	1.657 mm	109506644600070

**EPN 900 IV**  
 Stainless steel


	Length	Article number
Spindle for passive leaf Illustration see page 556	55 mm	119007914301030
	75 mm	119007924301030
	95 mm	119007934301030

\* Tube has to be ordered separately



EPN 900 IV • Pushbar



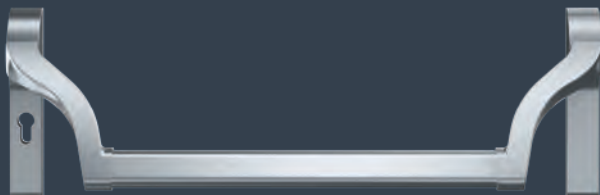
EPN 900 IV Aluminium F1 coated *	Turning angle	Article number
PZ-72	30°	106971303000080
	40°	106971403000080
	45°	106971453000080
PZ-92	30°	106972303000080
	40°	106972403000080
	45°	106972453000080
RZ-74	30°	106975303000080
	40°	106975403000080
	45°	106975453000080
RZ-94	30°	106976303000080
	40°	106976403000080
	45°	106976453000080
Blind UG	30°	106974303000080
	40°	106974403000080
	45°	106974453000080

EPN 900 IV * farbig	Turning angle	Article number
PZ-72	30°	106971300200080
	40°	106971400200080
	45°	106971450200080
PZ-92	30°	106972300200080
	40°	106972400200080
	45°	106972450200080
RZ-74	30°	106975300200080
	40°	106975400200080
	45°	106975450200080
RZ-94	30°	106976300200080
	40°	106976400200080
	45°	106976450200080
Blind UG	30°	106974300200080
	40°	106974400200080
	45°	106974450200080

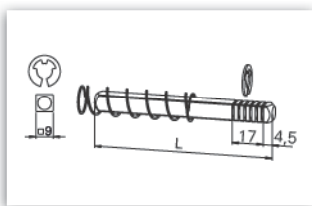
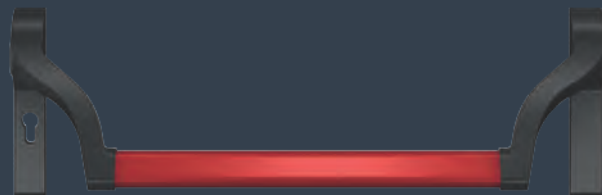
Tube: Steel zinc plated Aluminium F1 coated	Fixing axis (BA) max.	Article number
900 mm	1.067 mm	109507603000070
1.150 mm	1.317 mm	109507613000070
1.500 mm	1.657 mm	109507643000070

Tube: Steel zinc plated red coated	Fixing axis (BA) max.	Article number
900 mm	1.067 mm	109507600100070
1.150 mm	1.317 mm	109507610100070
1.500 mm	1.657 mm	109507640100070


EPN 900 IV Aluminium F1 coated \*\*



EPN 900 IV Black / red coated \*\*

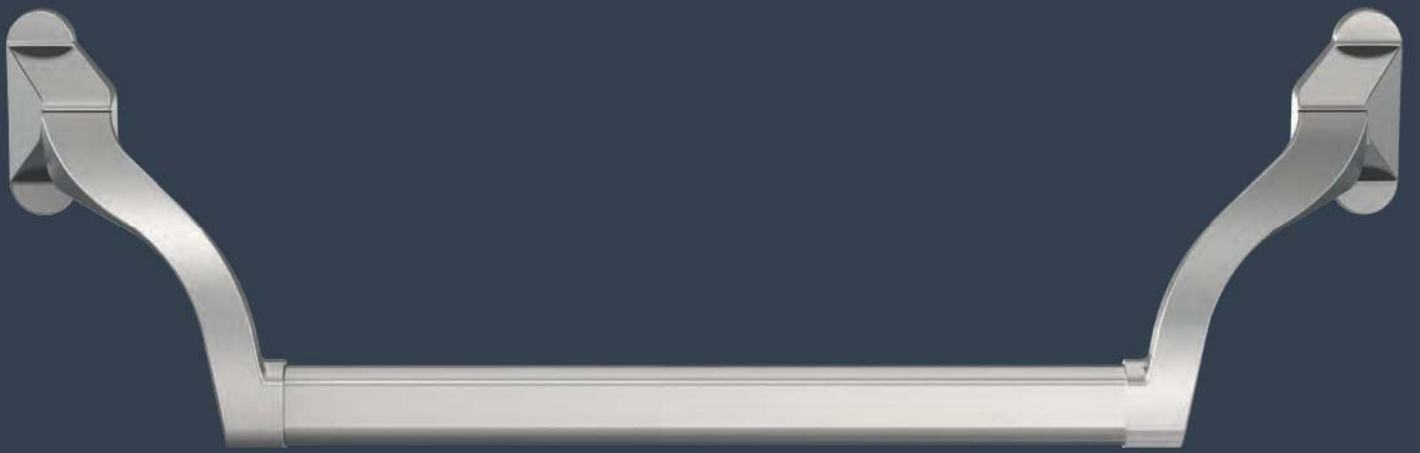


	Length	Article number
Spindle for passive leaf	55 mm	119007914301030
Illustration see page 556	75 mm	119007924301030
	95 mm	119007934301030

 \* Tube has to be ordered separately  
\*\* Please see our details on page 673

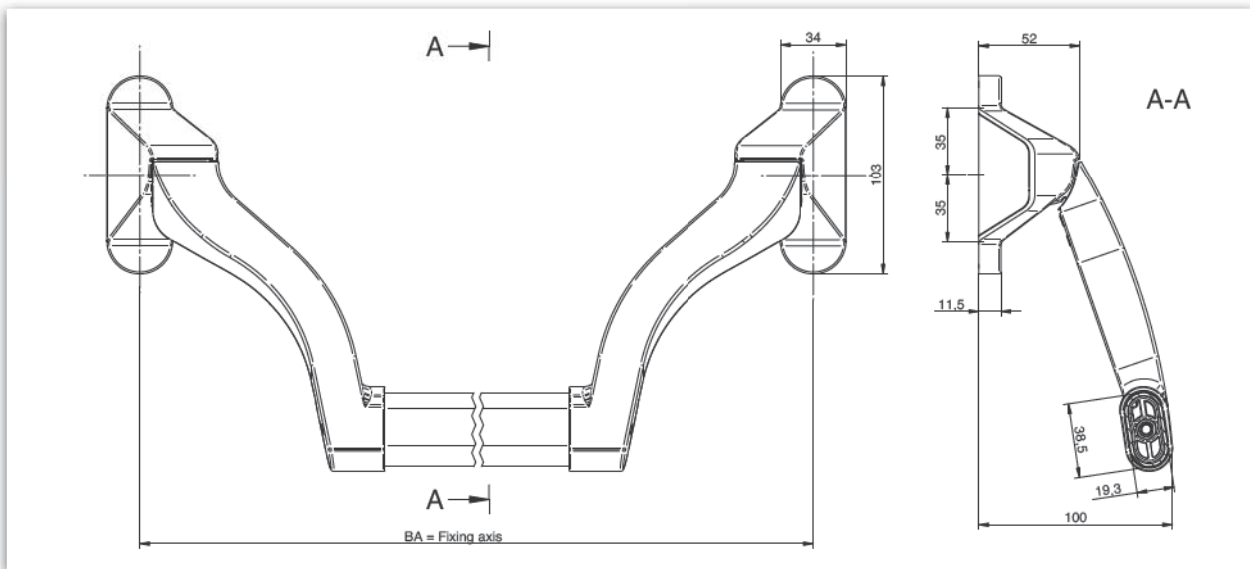


# ECO EPN 950



Product characteristics		
Mode of operation	Touchbar Pushbar	- ■
Finishes	Stainless steel	■
	Aluminium F1 coated	■
Tube	900*	■
	1.150*	■
	1.500*	□
DIN left / DIN right useable		■
Suitable for the use on fire- and smoke control doors		<b>F</b> ■
Tested according to DIN / EN		<b>EN 1125</b> ■

■ Yes    - No    □ Option



Dimensioning: EPN 950 (Subject to change)

**Description**

**EPN 950 / Pushbar**

The arms are highly cranked and enable the use of electronic key cylinders.

- Tested according to **EN 1125, EN 1634, EN 1191**
- Can be used according to **EN 1125** only with tested and approved lock
- Suitable for the use on fire- and smoke control doors according testing
- DIN left / DIN right useable
- Arms highly cranked, suitable in particular for electronic key cylinders and short PZ distances.
- Huge, stable tube (vandalism)
- High-strength screwing of arm and tube

- Finishes:
  - Satin Stainless steel\*
  - Silber Aluminium F1 coated\*\*
- Gear unit: steel zinc-plated

**!**  
\* Tube has to be ordered separately  
\*\* Please see our details on page 673

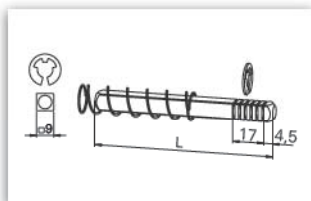
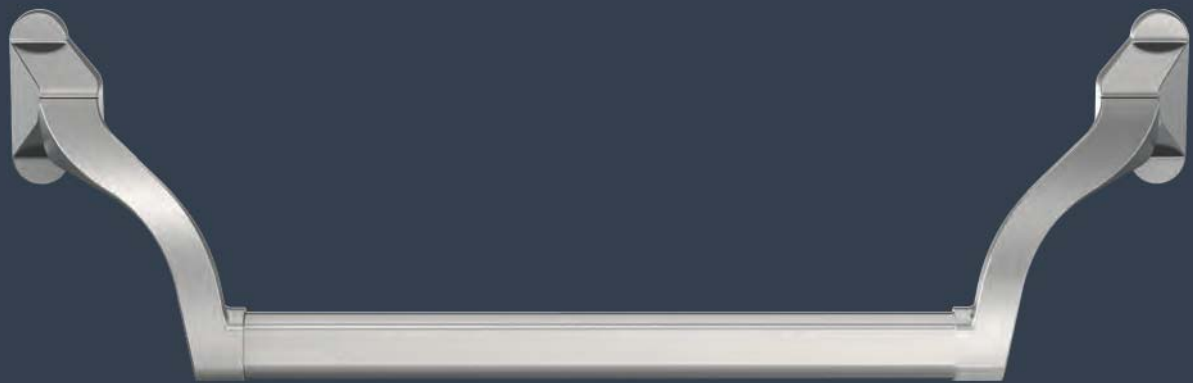
4



EPN 950 Stainless steel *	Turning angle	Article number
	30°	106980304600080
	45°	106980454600080

Tube: Stainless steel	Fixing axis (BA) max.	Article number
900 mm	1.118 mm	109506604600070
1.150 mm	1.368 mm	109506614600070
1.500 mm	1.718 mm	109506644600070

EPN 950  
Stainless steel



Spindle for passive leaf Illustration see page 556	Length	Article number
	55 mm	119007914301030
	75 mm	119007924301030
	95 mm	119007934301030

\* Tube has to be  
ordered separately



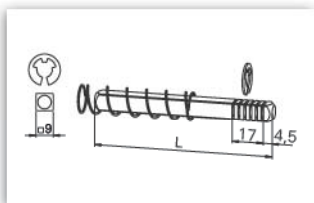
EPN 950 ▪ Pushbar




EPN 950 Aluminium F1 coated *	Turning angle	Article number
	30°	106980303000080
	45°	106980453000080

Tube: Aluminium F1 coated	Fixing axis (BA) max.	Article number
900 mm	1.118 mm	109507603000070
1.150 mm	1.368 mm	109507613000070
1.500 mm	1.718 mm	109507643000070

EPN 950  
Aluminium F1 coated \*\*



	Length	Article number
Spindle for passive leaf Illustration see page 556	55 mm	119007914301030
	75 mm	119007924301030
	95 mm	119007934301030

 \* Tube has to be ordered separately  
\*\* Please see our details on page 673

# ECO EPN 2000 II - Counter hardware

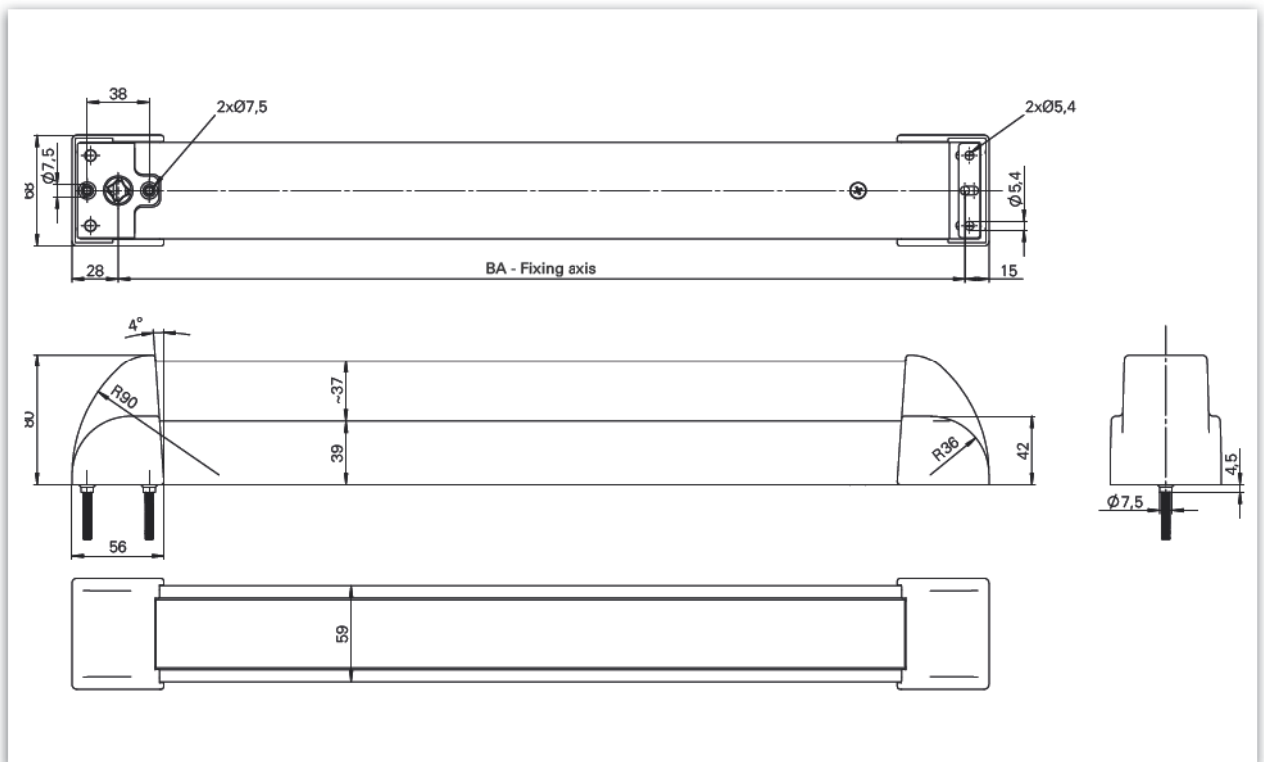






Product characteristics		
Mode of operation	Touchbar Pushbar	■ -
Finishes	Stainless steel	■
	Aluminium F1 coated	■
Fixing axis	1.000 mm	■
	1.250 mm	■
DIN left / DIN right useable		■
Suitable for the use on fire- and smoke control doors	<b>F</b>	■
Tested according to EN / DIN	<b>EN 1125</b>	■

■ Yes      - No



EPN 2000 II      Dimensioning: B: Screw-through version

**Description**

**EPN 2000 II handle set round rose / Touchbar**

This execution of the touch plate of the EPN 2000 II has been especially designed for the use with round roses as counter hardware. The norm and drillhole distances for round roses have been taken into consideration.

- Tested according to **EN 1125, EN 1634**
- Can be used according to **EN 1125** only in combination with tested lock and door hardware

- Suitable for the use on fire- and smoke control doors according testing
- Screw-through version
- DIN left / DIN right useable
- Finishes:
  - Stainless steel
  - Aluminium F1 (silver coated)\*

## Set EPN 2000 II with counter hardware round rose



### Set consists of

- **EPN 2000 II ER** (also available in aluminium, F1 silver coated)\*
- **Counter hardware round rose with friction bearing technology (OGL)**  
 Counter hardware handle type D-110 (PZ)  
 Counter hardware knob type K-130 (PZ)

### Accessories



- Screw set (please mention door thickness)
- Spindle has to be ordered separately



Steel door



Wooden door

Set EPN 2000 II Stainless steel	Fixing axis	EPN 2000 II	Counter hardware PZ	
			 D-110	 K-130
Screw-through version	1.000 mm	106706024600090	106785004674012	106785104674012
	1.250 mm	106706044600090		

Further executions and handle types on request.

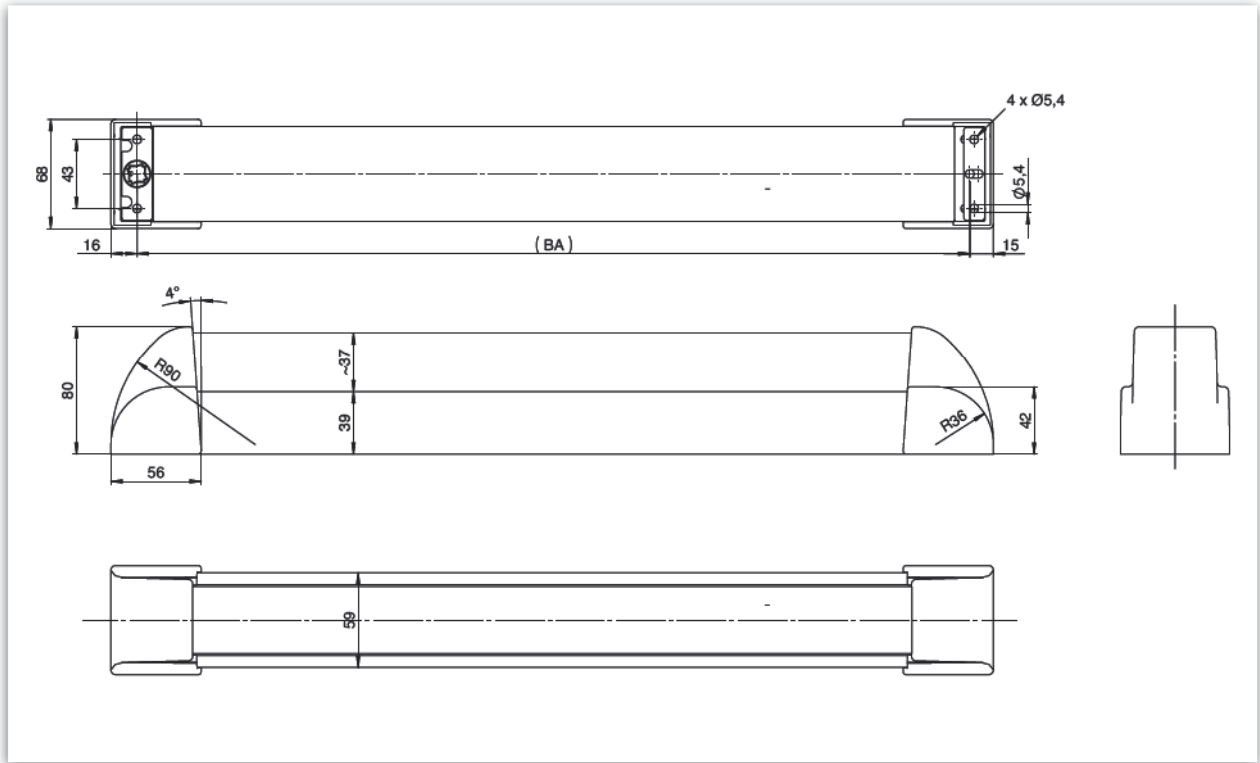


\*Manufacturing of special lengths on request and against surcharge possible.

Please see our details on page 673.

Product characteristics		
Mode of operation	Touchbar Pushbar	■ -
Finishes	Stainless steel	■
	Aluminium F1 coated	■
Fixing axis	1.000 mm	■
	1.250 mm	■
DIN left / DIN right useable		■
Suitable for the use on fire- and smoke control doors	<b>F</b>	■
Tested according to EN / DIN	<b>EN 1125</b>	■

■ Yes      - No



EPN 2000 II      Dimensioning: A: Screw-on version

**Description**

**EPN 2000 II handle set oval rose / Touchbar**

This execution of the touch plate of the EPN 2000 II has been especially designed for the use with oval roses as counter hardware. The norm and drillhole distances for oval roses have been taken into consideration.

- Tested according to **EN 1125, EN 1634**
- Can be used according to **EN 1125** only in combination with tested lock and door hardware

- Suitable for the use on fire- and smoke control doors according testing
- Screw-on version
- DIN left / DIN right useable
- Finishes:
  - Stainless steel
  - Aluminium F1 (silver coated)\*

## Set EPN 2000 II with counter hardware oval rose



### Set consists of



- **EPN 2000 II ER** (also available in aluminium, F1 silver coated)\*
- **Counter hardware oval rose with friction bearing technology (OGL)**  
Counter hardware handle type D-116 (PZ)  
Counter hardware knob type K-160 (PZ)

### Accessories

- Screw set (please mention door thickness)
- Spindle has to be ordered separately



Profile frame door

Set EPN 2000 II Stainless steel	Fixing axis	EPN 2000 II	Counter hardware PZ	
			D-116 	K-160 
Screw-on version	1.000 mm	106706024600080	106780004600012	106780104600012
	1.250 mm	106706044600080		

Further executions and handle types on request.

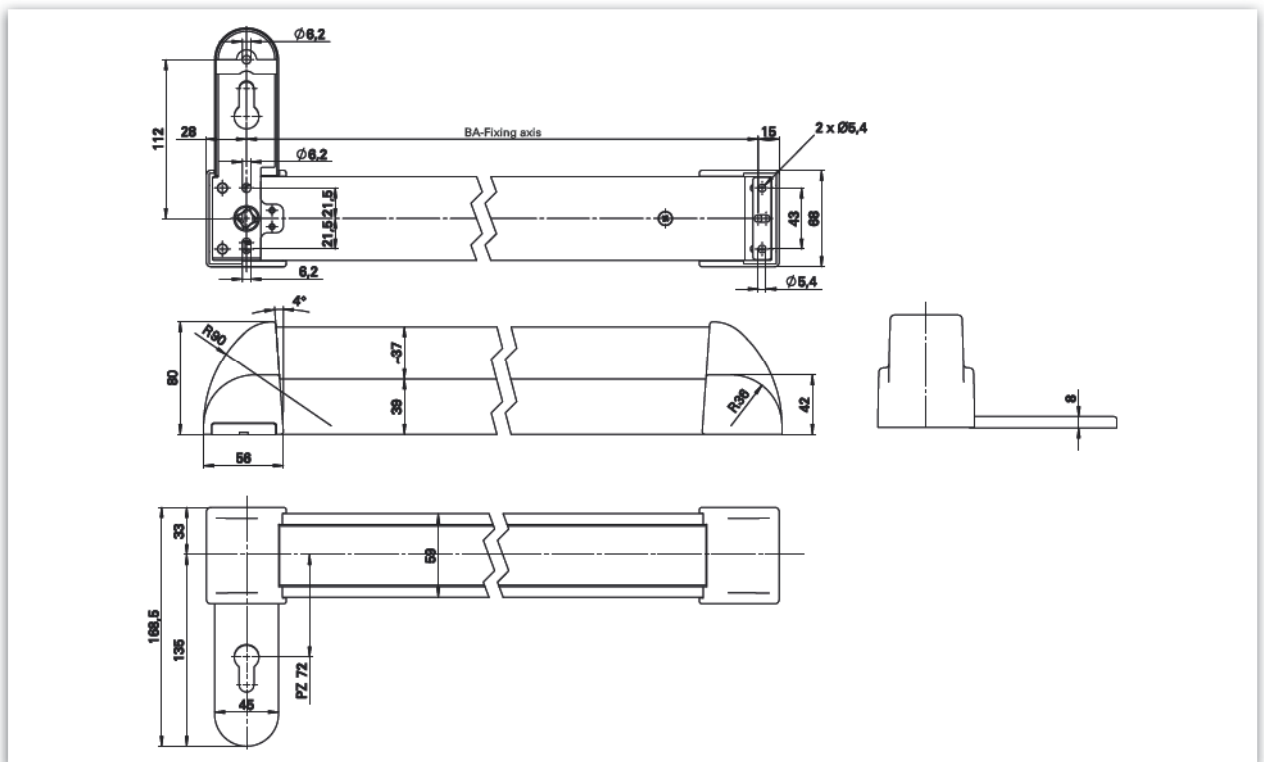


\*Manufacturing of special lengths on request and against surcharge possible.

Please see our details on page 673.

Product characteristics		
Mode of operation	Touchbar Pushbar	■ -
Finishes	Stainless steel	■
	Aluminium F1 coated	■
Fixing axis	1.000 mm	■
	1.250 mm	■
DIN left / DIN right useable		■
Suitable for the use on fire- and smoke control doors	<b>F</b>	■
Tested according to EN / DIN	<b>EN 1125</b>	■

■ Yes      - No



EPN 2000 II Dimensioning: B: Screw-through version

**Description**

**EPN 2000 II handle set short plate / Touchbar**

This execution of the touch plate of the EPN 2000 II has been especially designed for the use with handle sets on short plate as counter hardware. The norm and drill-hole distances for handle sets on short plate have been taken into consideration.

- Tested according to **EN 1125, EN 1634**
- Can be used according to **EN 1125** only in combination with tested lock and door hardware

- Suitable for the use on fire- and smoke control doors according testing
- Screw-through version
- DIN left / DIN right useable
- Finishes:  
Stainless steel  
Aluminium F1 (silver coated)\*

## Set EPN 2000 II with counter hardware short plate



### Set consists of

- **EPN 2000 II ER** (also available in aluminium, F1 silver coated)\*
- **Counter hardware short plate with friction bearing technology (OGL)**  
Counter hardware handle type D-110 (PZ)  
Counter hardware knob type K-130 (PZ)

### Accessories

- Screw set (please mention door thickness)
- Spindle has to be ordered separately



Steel door



Wooden door

Set EPN 2000 II Stainless steel	Fixing axis	EPN 2000 II	Special handle set PZ-72	
			D-110	K-130
Screw-through version	1.000 mm	106706224600099	106910004600902	106915004600902
	1.250 mm	106706244600099		

Further executions and handle types on request.



\*Manufacturing of special lengths on request and against surcharge possible.

Please see our details on page 673.

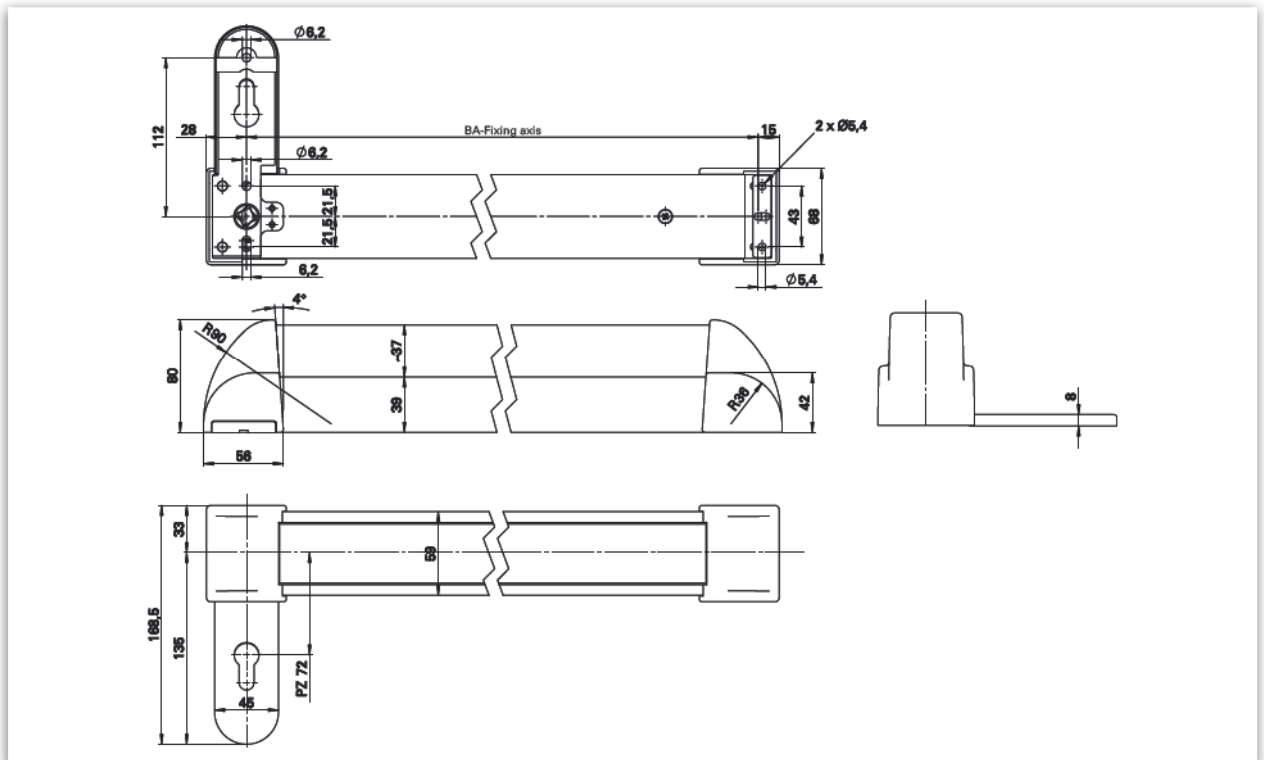


**Product characteristics**

Mode of operation	Touchbar Pushbar	■ -
Finishes	Stainless steel	■
	Aluminium F1 coated	■
Fixing axis	1.000 mm	■
	1.250 mm	■
DIN left / DIN right useable		■
Suitable for the use on fire- and smoke control doors	<b>F</b>	■
Tested according to EN / DIN	<b>EN 1125</b>	■

■ Yes      - No

EPN 2000 II Set ▪ Security short plate



EPN 2000 II      Dimensioning: B: Screw-through version

**Description**

**EPN 2000 II security handle set on short plate / Touchbar**

This execution of the touch plate of the EPN 2000 II has been especially designed for the use with security handle sets on short plate as counter hardware. The norm and drillhole distances for security handle sets on short plate have been taken into consideration.

- Tested according to **EN 1125, EN 1634**
- Can be used according to **EN 1125** only in combination with tested lock and door hardware

- Tested according to **EN 1906 / DIN 18257**
- Suitable for the use on fire- and smoke control doors according testing
- Screw-through version
- DIN left / DIN right useable
- Finishes:
  - Stainless steel
  - Aluminium F1 (silver coated)\*

## Set EPN 2000 II with counter hardware security handle short plate



### Set consists of

- **EPN 2000 II ER** (also available in aluminium, F1 silver coated)\*
- **Counter hardware security handle short plate with friction bearing technology (OGL)**  
Counter hardware handle type D-110 ES 1 K (PZ or ZA)  
Counter hardware knob type K-130 (PZ or ZA)

### Accessories

- Screw set (please mention door thickness)
- Spindle has to be ordered separately



Steel door




Wooden door

Set EPN 2000 II Stainless steel	Fixing axis	EPN 2000 II	Special handle set PZ-72 / 14 mm		Special handle set ZA-72 / 14 mm	
			D-110	K-130	D-110	K-130
Screw-through version	1.000 mm	106706224600099	102034314600012	102034104600012	102034514600012	102034114600012
	1.250 mm	106706244600099				

Further executions and handle types on request.

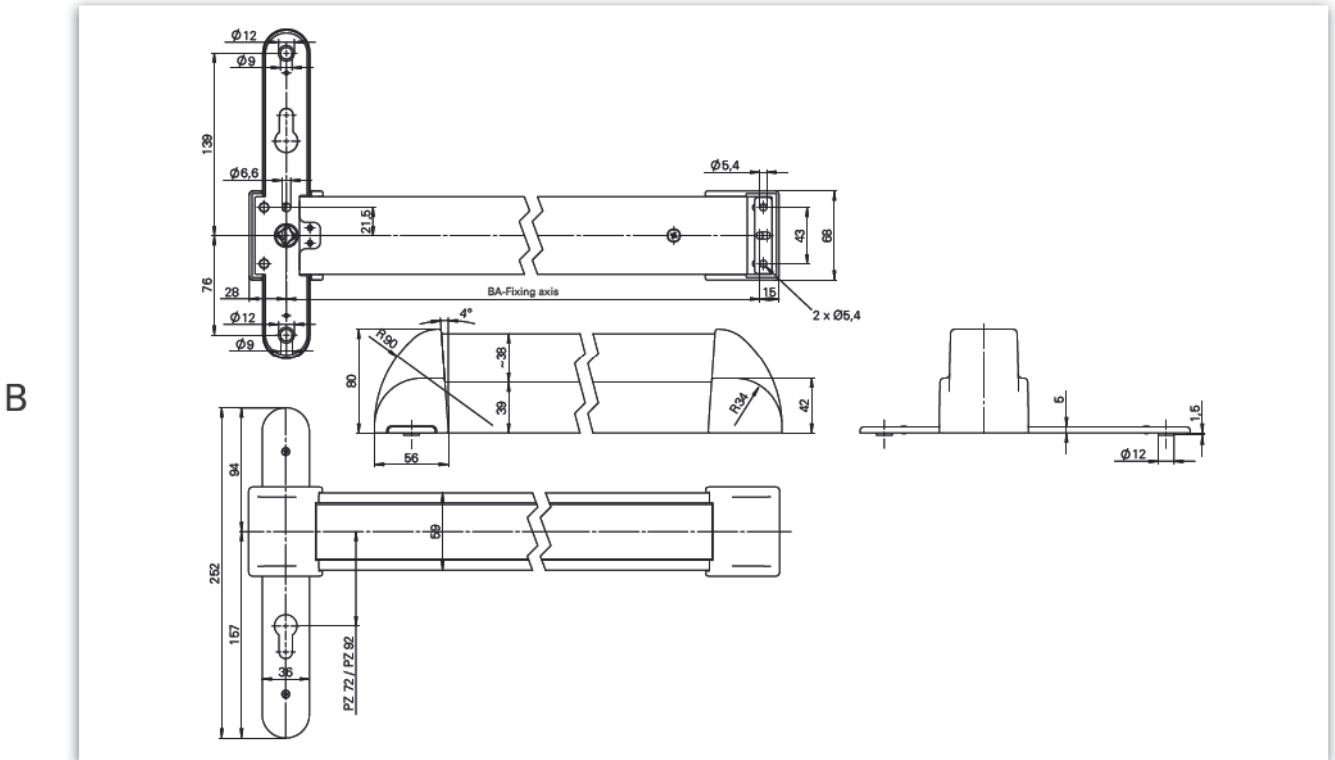
Please see our details on page 673.



\*Manufacturing of special lengths on request and against surcharge possible.

Product characteristics		
Mode of operation	Touchbar Pushbar	■ -
Finishes	Stainless steel	■
	Aluminium F1 coated	■
Fixing axis	1.000 mm	■
	1.250 mm	■
DIN left / DIN right useable		■
Suitable for the use on fire- and smoke control doors	<b>F</b>	■
Tested according to EN / DIN	<b>EN 1125</b>	■

■ Yes    - No



EPN 2000 II      Dimensioning: B: Screw-through version

**Description**

**EPN 2000 II security handle set on long plate / Touchbar**

This execution of the touch plate of the EPN 2000 II has been especially designed for the use with security handle sets on long plate as counter hardware. The norm and drillhole distances for security handle sets on long plate have been taken into consideration.

- Tested according to **EN 1125, EN 1634**
- Can be used according to **EN 1125** only in combination with tested lock and door hardware

- Tested according to **EN 1906 / DIN 18257**
- Suitable for the use on fire- and smoke control doors according testing
- Screw-through version
- DIN left / DIN right useable
- Finishes:  
Stainless steel  
Aluminium F1 (silver coated)\*

## Set EPN 2000 II with counter hardware security handle long plate



### Set consists of

- **EPN 2000 II ER** (also available in aluminium, F1 silver coated)\*
- **Counter hardware security handle long plate with friction bearing technology (OGL)**  
Counter hardware handle type D-110 ES 1(PZ or ZA)  
Counter hardware knob type K-130 (PZ or ZA)

### Accessories

- Screw set (please mention door thickness)
- Spindle has to be ordered separately



Steel door



Wooden door

Set EPN 2000 II Stainless steel	Fixing axis	EPN 2000 II	Special handle set PZ-72 / 14 mm		Special handle set ZA-72 / 14 mm	
			D-110	K-130	D-110	K-130
Screw-through version	1.000 mm	106706324600099	102031554600012	102030364600012	1020315146	1020306046
	1.250 mm	106706344600099				

Set EPN 2000 II Stainless steel	Fixing axis	EPN 2000 II	Special handle set PZ-92 / 14 mm		Special handle set ZA-92 / 14 mm	
			D-110	K-130	D-110	K-130
Screw-through version	1.000 mm	106706224600099	102031544600012	102030384600012	1020315246	102030704600012
	1.250 mm	106706244600099				

Further executions and handle types on request.

Please see our details on page 673.

\*Manufacturing of special lengths on request and against surcharge possible.

**Product characteristics**

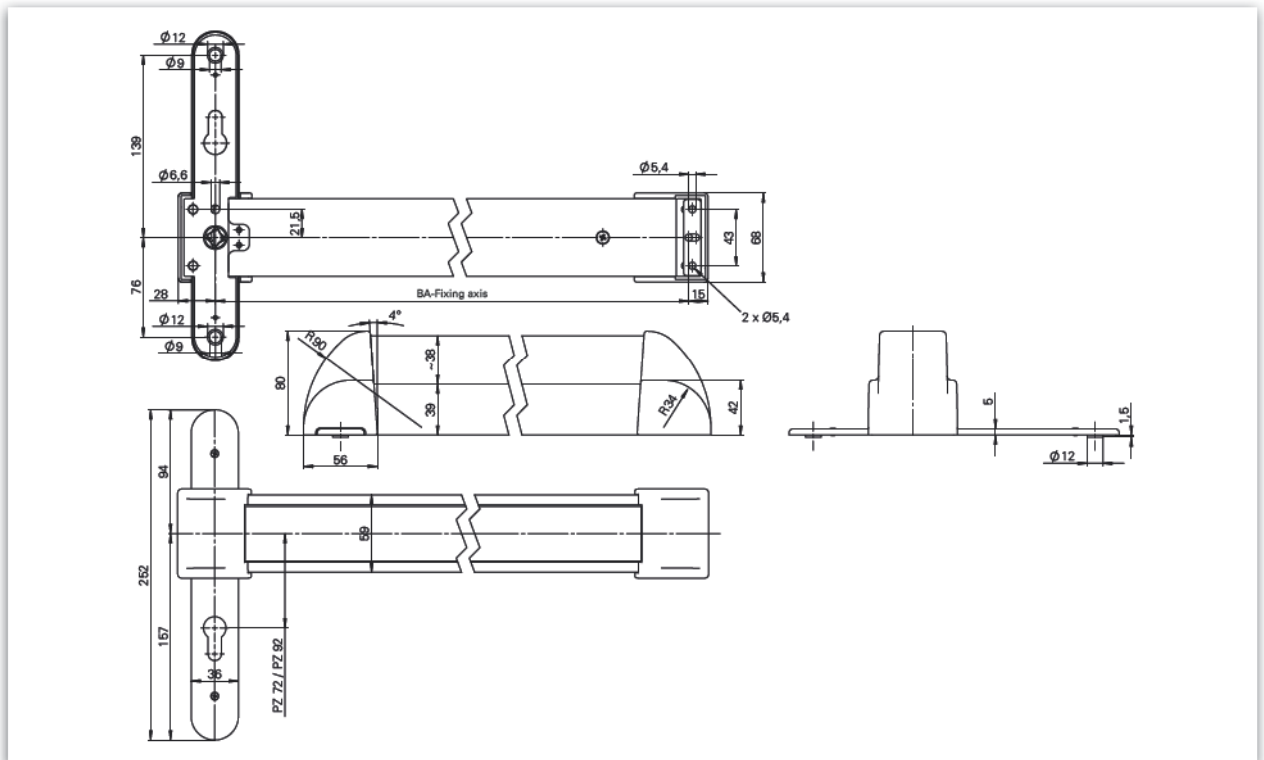
Mode of operation	Touchbar Pushbar	■ -
Finishes	Stainless steel	■
	Aluminium F1 coated	■
Fixing axis	1.000 mm	■
	1.250 mm	■
DIN left / DIN right useable		■
Suitable for the use on fire- and smoke control doors	<b>F</b>	■
Tested according to EN / DIN	<b>EN 1125</b>	■

■ Yes      - No

EPN 2000 II Set ▪ Security profile frame



B



EPN 2000 II      Dimensioning: B: Screw-through version

**Description**

**EPN 2000 II handle set for profile frame doors / Touchbar**

This execution of the touch plate of the EPN 2000 II has been especially designed for the use with security handle sets for profile frame doors as counter hardware. The norm and drillhole distances for security handle sets for profile frame doors have been taken into consideration.

- Tested according to **EN 1125, EN 1634**
- Can be used according to **EN 1125** only in combination with tested lock and door hardware

- Tested according to **EN 1906 / DIN 18257**
- Suitable for the use on fire- and smoke control doors according testing
- Screw-through version
- DIN left / DIN right useable
- Finishes:  
Stainless steel  
Aluminium F1 (silver coated)\*

## Set EPN 2000 II with counter hardware security handle profile frame



### Set consists of

- **EPN 2000 II ER** (also available in aluminium, F1 silver coated)\*
- **Counter hardware security handle profile frame with friction bearing technology (OGL)**  
Counter hardware handle type D-116 (PZ or ZA)  
Counter hardware knob type K-160 (PZ or ZA)

### Accessories

- Screw set (please mention door thickness)
- Spindle has to be ordered separately



Profile frame door

Set EPN 2000 II Stainless steel	Fixing axis	EPN 2000 II	Special handle set PZ-72 / 14 mm		Special handle set ZA-72 / 14 mm	
			D-116	K-160	D-116	K-160
Screw-through version	1.000 mm	106706324600099	102049464600010	102049604600010	102049484600010	102049654600010
	1.250 mm	106706344600099				

Set EPN 2000 II Stainless steel	Fixing axis	EPN 2000 II	Special handle set PZ-92 / 14 mm		Special handle set ZA-92 / 14 mm	
			D-116	K-160	D-116	K-160
Screw-through version	1.000 mm	106706324600099	102049474600010	102049614600010	102049494600010	102049664600010
	1.250 mm	106706344600099				

Further executions and handle types on request.

Please see our details on page 673.


\*Manufacturing of special lengths on request and against surcharge possible.



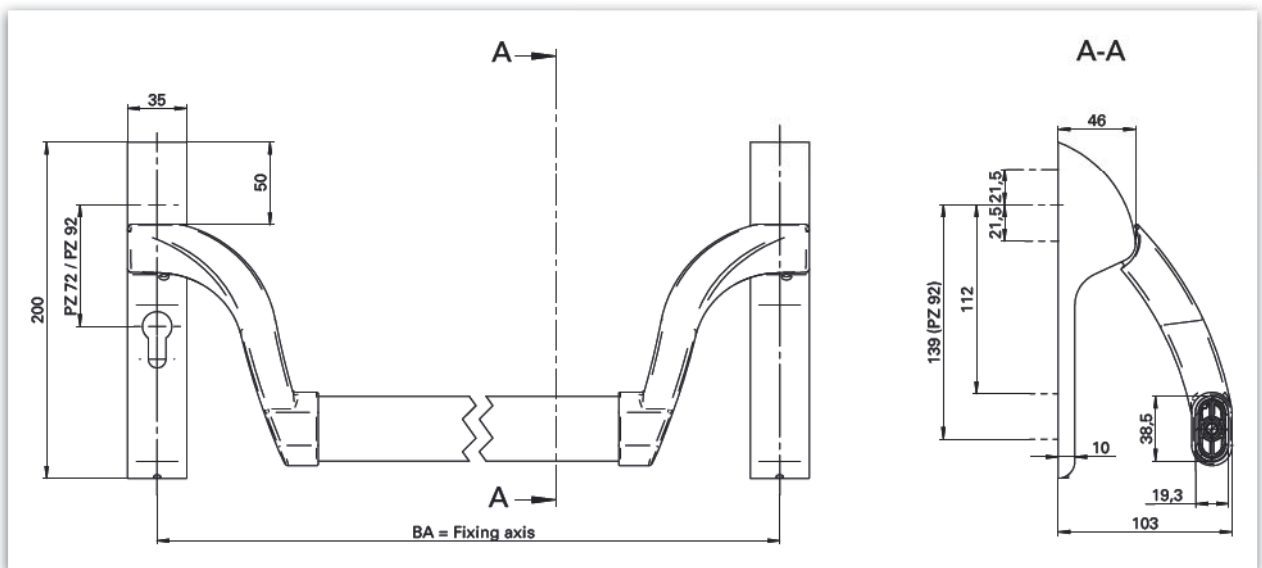
# ECO EPN 900 III - Counter hardware





Product characteristics		
Mode of operation	Touchbar Pushbar	- ■
Finishes	Stainless steel	■
	Aluminium F1 coated	■
	Coloured coated	■
Tube	900*	■
	1.150*	■
	1.500*	□
Lock type	PZ-72	■
	PZ-92	■
	RZ-74	■
	RZ-94	■
	UG	■
DIN left / DIN right useable		■
Suitable for the use on fire- and smoke control doors	<b>F</b>	■
Tested according to DIN / EN	<b>EN 1125</b> 	■

■ Yes    - No    □ Option



Dimensions: EPN 900 III with counter hardware oval rose

### Description

#### EPN 900 III handle set oval rose / Pushbar

The arms are highly cranked and enable the use of electronic key cylinders.

This execution of tube for EPN 900 III has especially been designed for the use with oval rose handle sets as counter hardware. The norm and drillhole distances for oval rose counter hardware have been taken into consideration.

- Tested according to **EN 1125, EN 1634, EN 1191**
- Can be used according to **EN 1125** only in combination with tested lock and door hardware
- Arms highly cranked, suitable in particular for electronic key cylinders and short PZ distances.
- Huge, stable tube (vandalism)

- High-strength screwing of arm and tube
- Finishes:
  - Satin Stainless steel
  - Silver (F1)\* coated (on basis EPN 900 III Stainless steel)
  - Black / red coated\* (on basis EPN 900 III Stainless steel)
- Gear unit: steel zinc-plated

## Set EPN 900 III with counter hardware oval rose



### Set consists of

- **EPN 900 III ER** (also available in aluminium, F1 silver coated)\*
- **Counter hardware oval rose with friction bearing technology (OGL)**  
Counter hardware handle type D-116  
Counter hardware knob type K-160

### Accessories

- Screw set (please mention door thickness)
- Tube (see length-chart)
- Spindle has to be ordered separately



Profile frame door

Set EPN 900 III Stainless steel	Turning angle	EPN 900 III	Counter hardware PZ	
			D-116	K-160
PZ-72	30°	106961304600080	106918504600902	106915534600902
	40°	106961404600080		
	45°	106961454600080		
PZ-92	30°	106962304600080		
	40°	106962404600080		
	45°	106962454600080		

Further executions and handle types on request.

### Accessories




Tube: Stainless steel	Fixing axis (BA) max.	Article number
900 mm	1.067 mm	109506604600070
1.150 mm	1.317 mm	109506614600070
1.500 mm	-	On request



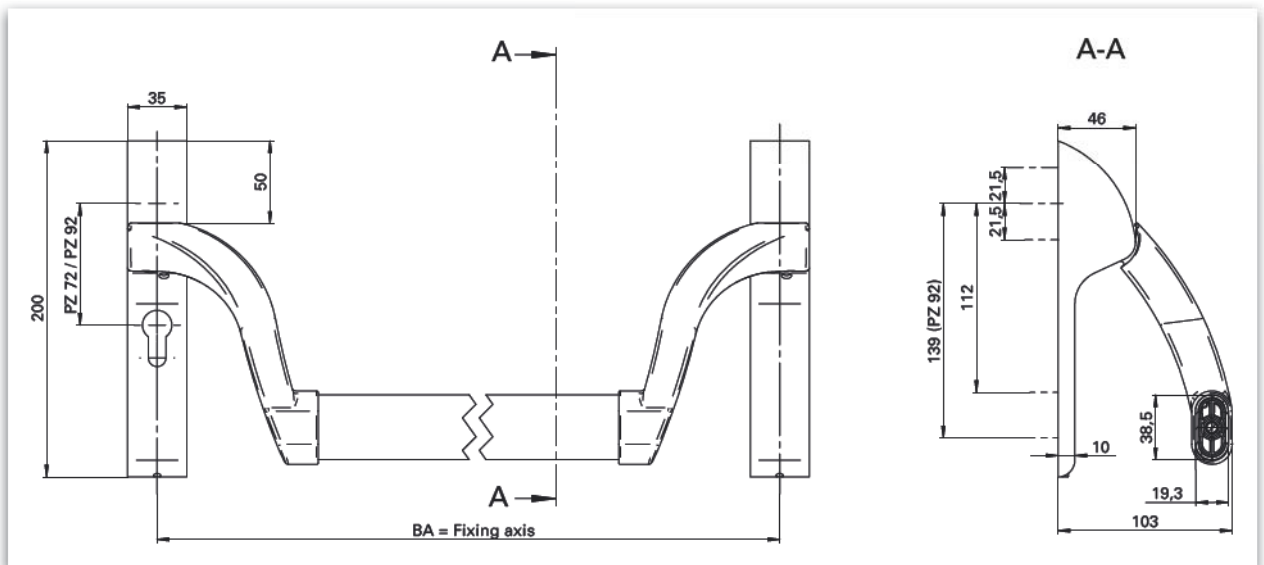
\*Manufacturing of special lengths on request and against surcharge possible.

Tube has to be ordered separately.

Please see our details on page 673.

Product characteristics		
Mode of operation	Touchbar Pushbar	- ■
Finishes	Stainless steel	■
	Aluminium F1 coated	■
	Coloured coated	■
Tube	900*	■
	1.150*	■
	1.500*	□
Lock type	PZ-72	■
	PZ-92	■
	RZ-74	■
	RZ-94	■
	UG	■
DIN left / DIN right useable		■
Suitable for the use on fire- and smoke control doors	<b>F</b>	■
Tested according to DIN / EN	<b>EN 1125</b> 	■

■ Yes    - No    □ Option

**EPN 900 III Set ▪ Short plate**


Dimensioning: EPN 900 III with counter hardware handle sets on short plate

**Description**
**EPN 900 III handle set short plate / Pushbar**

The arms are highly cranked and enable the use of electronic key cylinders.

This execution of tube for EPN 900 III has especially been designed for the use with short plate handle sets as counter hardware. The norm and drillhole distances for short plate handle sets as counter hardware have been taken into consideration.

- Tested according to **EN 1125, EN 1634, EN 1191**
- Can be used according to **EN 1125** only in combination with tested lock and door hardware
- Suitable for the use on fire- and smoke control doors according testing
- DIN left / DIN right useable
- Arms highly cranked, suitable in particular for electronic key cylinders and short PZ distances.
- Huge, stable tube (vandalism)
- High-strength screwing of arm and tube
- Finishes:
  - Satin Stainless steel
  - Silver (F1)\* coated (on basis of EPN 900 III Stainless steel)
  - Steel zinc-plated and silver (F1) coated
  - Black / red coated\* (on basis EPN 900 III Stainless steel)
- Gear unit: steel zinc-plated

## Set EPN 900 III with counter hardware short plate



### Set consists of

- **EPN 900 III ER** (also available in aluminium, F1 silver coated)\*
- **Counter hardware short plate with friction bearing technology (OGL)**  
Counter hardware handle type D-110 (PZ)  
Counter hardware knob type K-130 (PZ)

### Accessories



- Screw set (please mention door thickness)
- Tube (see length-chart)
- Spindle has to be ordered separately



Steel door



Wooden door

Set EPN 900 III Stainless steel	Turning angle	EPN 900 III	Counter hardware PZ-72	
			 D-110	 K-130
PZ-72	30°	106961304600080	106910004600902	106915004600902
	40°	106961404600080		
	45°	106961454600080		

Further executions and handle types on request.

### Accessories



Tube: Stainless steel	Fixing axis (BA) max.	Article number
900 mm	1.067 mm	109506604600070
1.150 mm	1.317 mm	109506614600070
1.500 mm	-	On request



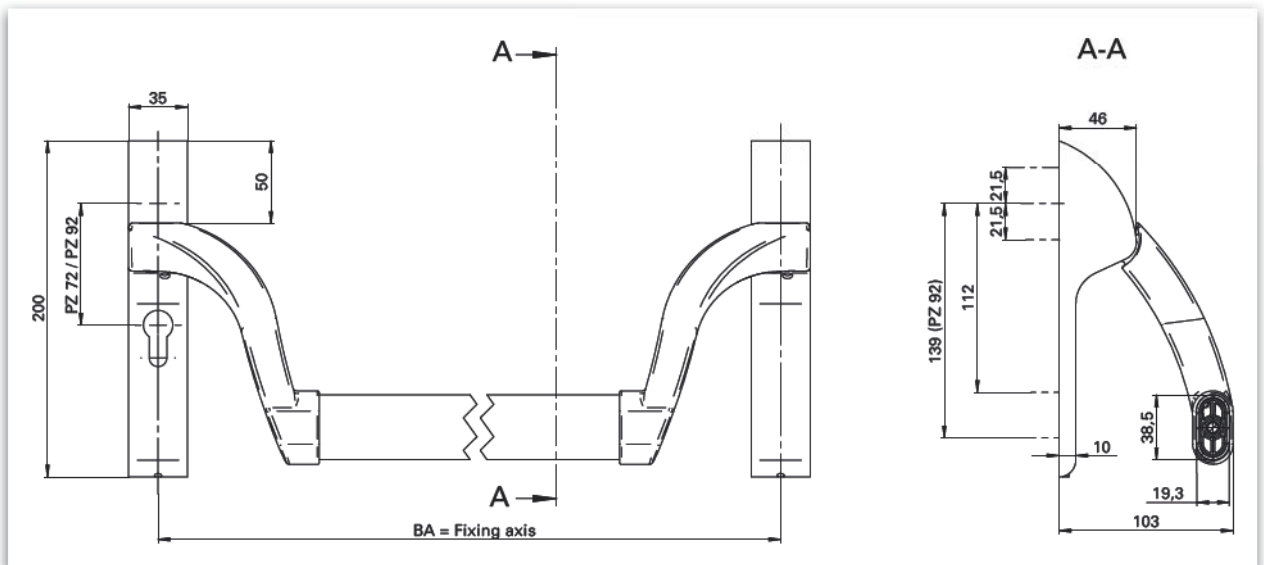
\*Manufacturing of special lengths on request and against surcharge possible.

Tube has to be ordered separately.

Please see our details on page 673.

Product characteristics		
Mode of operation	Touchbar Pushbar	- ■
Finishes	Stainless steel	■
	Aluminium F1 coated	-
	Coloured coated	-
Tube	900*	■
	1.150*	■
	1.500*	□
Lock type	PZ-72	■
	PZ-92	■
	RZ-74	■
	RZ-94	■
	UG	■
DIN left / DIN right useable		■
Suitable for the use on fire- and smoke control doors	<b>F</b>	■
Tested according to DIN / EN	<b>EN 1125</b>	■

■ Yes    - No    □ Option



Dimensions: EPN 900 III with counter hardware security handle sets on short plate

### Description

#### EPN 900 III security handle set on short plate / Pushbar

The arms are highly cranked and enable the use of electronic key cylinders. .

This execution of tube for EPN 900 III has especially been designed for the use with security handle sets on short plate as counter hardware. The norm and drillhole distances for security handle sets as counter hardware have been taken into consideration.

- Tested according to **EN 1125, EN 1634, EN 1191**
- Can be used according to **EN 1125** only in combination with tested lock and door hardware
- Suitable for the use on fire- and smoke control doors according testing
- DIN left / DIN right useable

- Arms highly cranked, suitable in particular for electronic key cylinders and short PZ distances.
- Huge, stable tube (vandalism)
- High-strength screwing of arm and tube
- Finishes:
  - Satin Stainless steel
  - Silver (F1)\* coated (on basis of EPN 900 III Stainless steel)
  - Steel zinc-plated and silver (F1) coated
  - Black / red coated\* (on basis EPN 900 III Stainless steel)
- Gear unit: steel zinc-plated



## Set EPN 900 III with counter hardware security handle short plate



### Set consists of

- **EPN 900 III ER** (also available in aluminium, F1 silver coated)\*
- **Counter hardware security handle short plate with friction bearing technology (OGL)**  
Counter hardware handle type D-110 (PZ or ZA)  
Counter hardware knob type K-130 (PZ or ZA)

### Accessories





- Screw set (please mention door thickness)
- Tube (see length-chart)
- Spindle has to be ordered separately



Steel door



Wooden door

Set EPN 900 III Stainless steel	Turning angle	EPN 900 III	Counter hardware PZ-72 / 14 mm		Counter hardware ZA-72 / 14 mm	
			 D-110	 K-130	 D-110	 K-130
PZ-72	30°	106961304600099				
	40°	106961404600099	102034314600012	102034104600012	102034514600012	102034114600012
	45°	106961454600099				

Further executions and handle types on request.

### Accessories



Tube: Stainless steel	Fixing axis (BA) max.	Article number
900 mm	1.067 mm	109506604600070
1.150 mm	1.317 mm	109506614600070
1.500 mm	-	On request

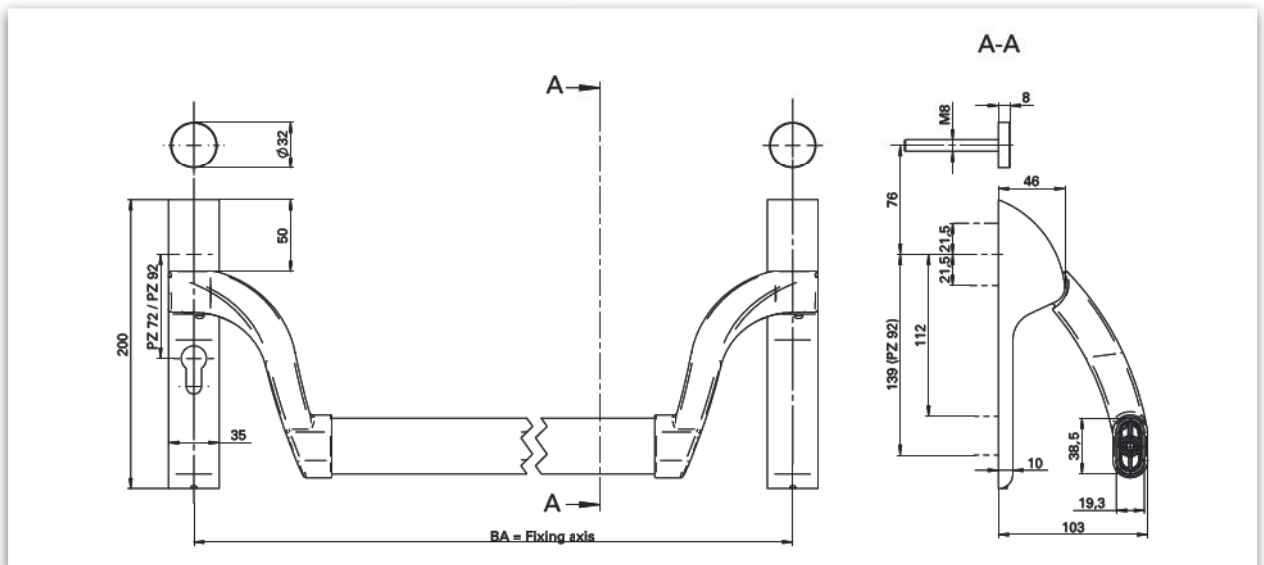


\*Manufacturing of special lengths on request and against surcharge possible.  
Tube has to be ordered separately.

Please see our details on page 673.

Product characteristics		
Mode of operation	Touchbar	-
	Pushbar	■
Finishes	Stainless steel	■
	Aluminium F1 coated	-
	Coloured coated	-
Tube	900*	■
	1.150*	■
	1.500*	□
Lock type	PZ-72	■
	PZ-92	■
	RZ-74	■
	RZ-94	■
	UG	■
DIN left / DIN right useable		■
Suitable for the use on fire- and smoke control doors		<b>F</b> ■
Tested according to DIN / EN		<b>EN 1125</b> ■

■ Yes - No □ Option



Dimensions: EPN 900 III with counter hardware security handle sets on long plate

### Description

#### EPN 900 III security handle set on long plate / Pushbar

The arms are highly cranked and enable the use of electronic key cylinders.

This execution of tube for EPN 900 III has especially been designed for the use with security handle sets on long plate as counter hardware. The norm and drillhole distances for security handle sets as counter hardware have been taken into consideration.

- Tested according to **EN 1125, EN 1634, EN 1191**
- Can be used according to **EN 1125** only in combination with tested lock and door hardware
- Suitable for the use on fire- and smoke control doors according testing
- DIN left / DIN right useable

- Arms highly cranked, suitable in particular for electronic key cylinders and short PZ distances.
- Huge, stable tube (vandalism)
- High-strength screwing of arm and tube
- Finishes:
  - Satin Stainless steel
  - Silver (F1)\* coated (on basis of EPN 900 III Stainless steel)
  - Steel zinc-plated and silver (F1) coated
  - Black / red coated\* (on basis EPN 900 III Stainless steel)
- Gear unit: steel zinc-plated

Set EPN 900 III with counter hardware security handle long plate



**Set consists of**

- **EPN 900 III ER** (also available in aluminium, F1 silver coated)\*
- **Counter hardware security handle long plate with friction bearing technology (OGL)**  
Counter hardware handle type D-110 (PZ or ZA)  
Counter hardware knob type K-130 (PZ or ZA)

**Accessories**

- Screw set (please mention door thickness)
- Tube (see length-chart)
- Spindle has to be ordered separately



Steel door



Wooden door

Set EPN 900 III Stainless steel	Turning angle	EPN 900 III	Counter hardware PZ / 14 mm		Counter hardware ZA / 14 mm	
			D-110	K-130	D-110	K-130
PZ-72	30°	106961304600099	106940004600010	106942004600010	106940504600010	106942504600010
	40°	106961404600099				
	45°	106962304600099				
PZ-92	30°	106962304600099	106940014600010	106942014600010	106940514600010	106942514600010
	40°	106962404600099				
	45°	106962454600099				

Further executions and handle types on request.

Accessories



Tube: Stainless steel	Fixing axis (BA) max.	Article number
900 mm	1.067 mm	109506604600070
1.150 mm	1.317 mm	109506614600070
1.500 mm	-	On request

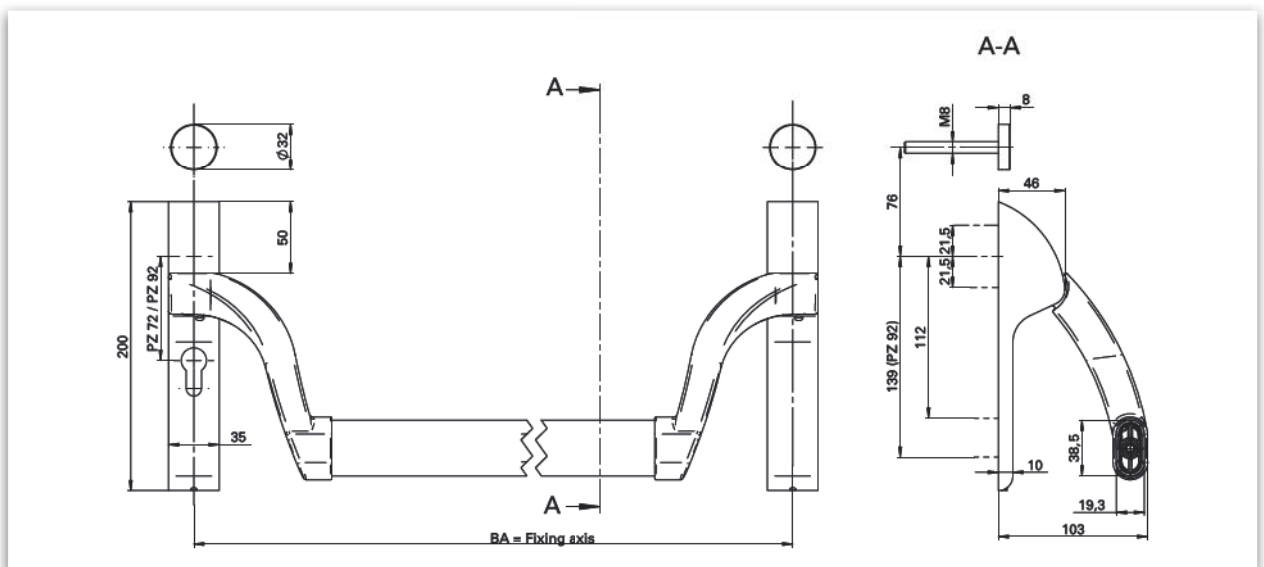


\*Manufacturing of special lengths on request and against surcharge possible.  
Tube has to be ordered separately.

Please see our details on page 673.

Product characteristics		
Mode of operation	Touchbar	-
	Pushbar	■
Finishes	Stainless steel	■
	Aluminium F1 coated	-
	Coloured coated	-
Tube	900*	■
	1.150*	■
	1.500*	□
Lock type	PZ-72	■
	PZ-92	■
	RZ-74	■
	RZ-94	■
	UG	■
DIN left / DIN right useable		■
Suitable for the use on fire- and smoke control doors		<b>F</b> ■
Tested according to DIN / EN		<b>EN 1125</b> ■

■ Yes    - No    □ Option



Dimensioning: EPN 900 III mit with counter hardware security handle sets on profile frame

### Description

#### EPN 900 III security handle set profile frame / Pushbar

The arms are highly cranked and enable the use of electronic key cylinders.

This execution of tube for EPN 900 III has especially been designed for the use with security handle sets for profile frame doors as counter hardware. The norm and drillhole distances for security handle sets for profile frame doors as counter hardware have been taken into consideration

- Tested according to **EN 1125, EN 1634, EN 1191**
- Can be used according to **EN 1125** only in combination with tested lock and door hardware
- Suitable for the use on fire- and smoke control doors according testing
- DIN left / DIN right useable

- Arms highly cranked, suitable in particular for electronic key cylinders and short PZ distances.
- Huge, stable tube (vandalism)
- High-strength screwing of arm and tube
- Finishes:
  - Satin Stainless steel
  - Silver (F1)\* coated (on basis of EPN 900 III Stainless steel)
  - Steel zinc-plated and silver (F1) coated
  - Black / red coated\* (on basis EPN 900 III Stainless steel)
- Gear unit: steel zinc-plated

## Set EPN 900 III with counter hardware security handle profile frame



### Set consists of

- **EPN 900 III ER** (also available in aluminium, F1 silver coated)\*
- **Counter hardware security handle profile frame with friction bearing technology (OGL)**  
Counter hardware handle type D-116 (PZ or ZA)  
Counter hardware knob type K-160 (PZ or ZA)

### Accessories

- Screw set (please mention door thickness)
- Tube (see length-chart)
- Spindle has to be ordered separately



Profile frame door

Set EPN 900 III Stainless steel	Turning angle	EPN 900 III	Counter hardware PZ / 14 mm		Counter hardware ZA / 14 mm	
			D-116	K-160	D-116	K-160
PZ-72	30°	106961304600099	106941004600010	106943004600010	106941504600010	106943504600010
	40°	106961404600099				
	45°	106961454600099				
PZ-92	30°	106962304600099	106941014600010	106943014600010	106941514600010	106943514600010
	40°	106962404600099				
	45°	106962454600099				

Further executions and handle types on request.

### Accessories



Tube: Stainless steel	Fixing axis (BA) max.	Article number
900 mm	1.067 mm	109506604600070
1.150 mm	1.317 mm	109506614600070
1.500 mm	-	On request



\*Manufacturing of special lengths on request and against surcharge possible.  
Tube has to be ordered separately.

Please see our details on page 673.